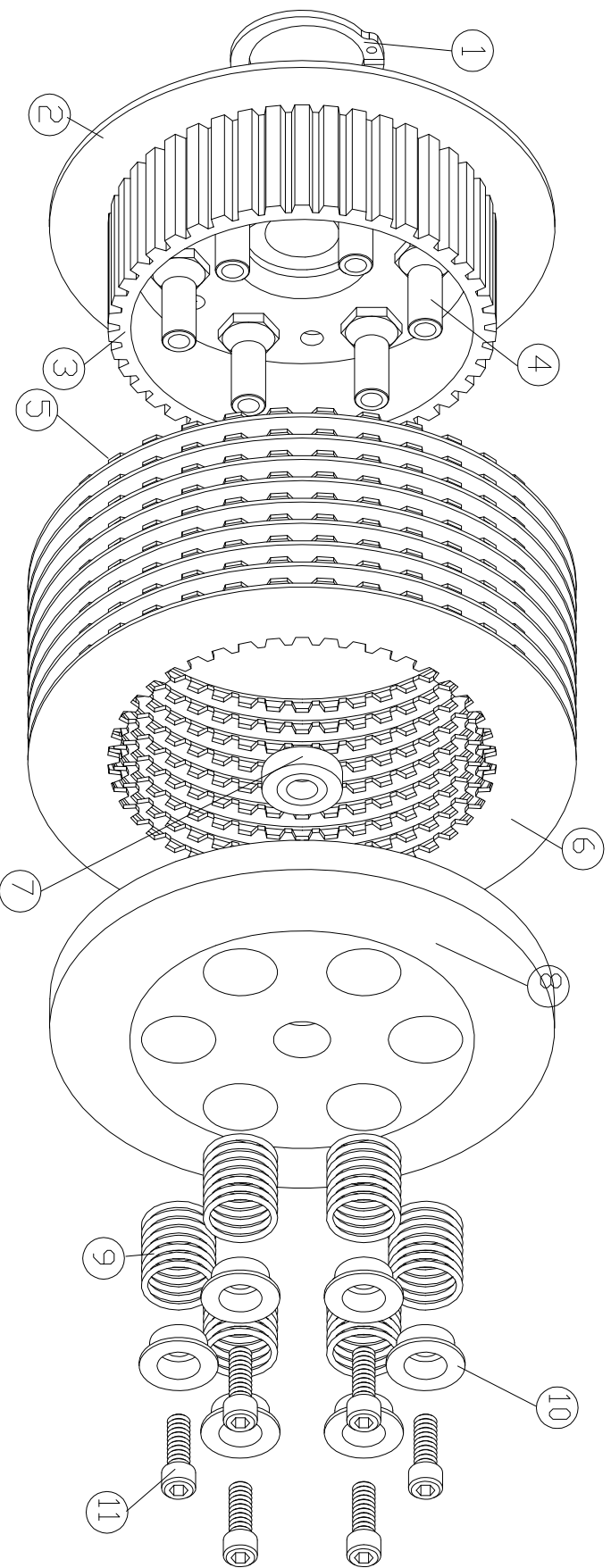


SCORPION BILLET CLUTCH ASSEMBLY

1991 & LATER 5 SPEED SPORTSTER/BUELL

607-30-10091



No.	QTY.	PART #.	DESCRIPTION	No.	QTY.	PART #.	DESCRIPTION
1	1	201011	HEAVY DUTY SNAP RING	9	6	MT-18-6	CLUTCH SPRING 58 Lbs.
2	1	205002	CLUTCH HUB	9	6	MT-113-6	CLUTCH SPRING 80 Lbs.
3	1	205003	CLUTCH DISK SPLINE	10	6	MT-90	SPRING CUP
4	6	205005	STUD CLUTCH PACK ASSEMBLY	11	6	6mm x1.	6mm x1. SOCKET HEAD CAP SCREW
5	9	201023	FRICTION PLATES				
6	9	201030	STEEL DRIVE PLATES				
7	1	205011	BEARING (THROW OUT) ON 205004				
8	1	205004	CLUTCH PRESSURE PLATE				
9	6	MT-112-6	CLUTCH SPRING 70 Lbs.				