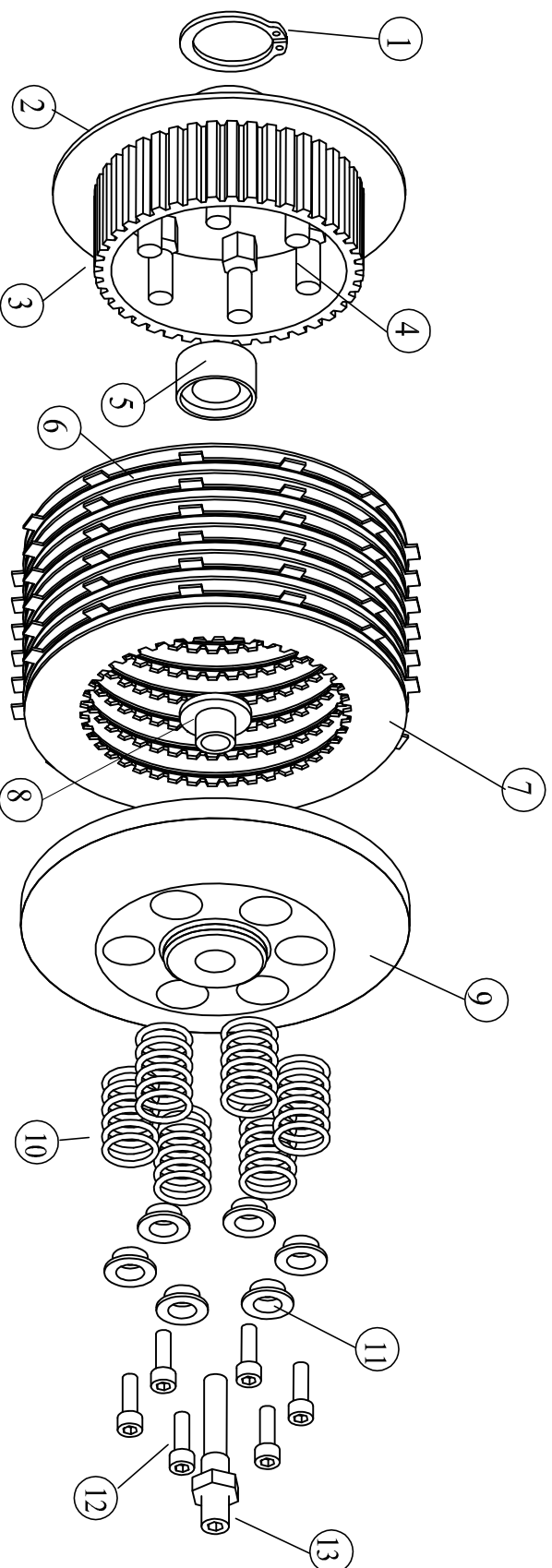


# SCORPION BILLET CLUTCH ASSEMBLY

608-30-10086

Late 1986 - 1989

BIG TWIN



No. QTY.	PART #.	DESCRIPTION	No. QTY.	PART #.	DESCRIPTION
1	201011	HEAVY DUTY SNAP RING	10	MT-91	CLUTCH SPRING (RED) 100 Lbs.
2	203002	CLUTCH HUB	10	MT-23	CLUTCH SPRING (GREEN) 82 Lbs.
3	203003	CLUTCH DISK SPLINE	10	MT-7	CLUTCH SPRING (GOLD) 58 Lbs.
4	201005	STUD CLUTCH PACK ASSEMBLY	11	MT-90	SPRING CUP
5	203005	LONG SHAFT SPACER	12	6mm x1.	6mm x1. SOCKET HEAD CAP SCREW
6	203023	FRICTION PLATES	13	203009	CLUTCH ADJUSTMENT SCREW
7	203030	STEEL DRIVE PLATES	13	7/16-20NC	JAM NUT INST. ON ADJ. SCREW
8	SR INSERT	THREADED INSERT (INSTALLED)			
9	203004	CLUTCH PRESSURE PLATE			