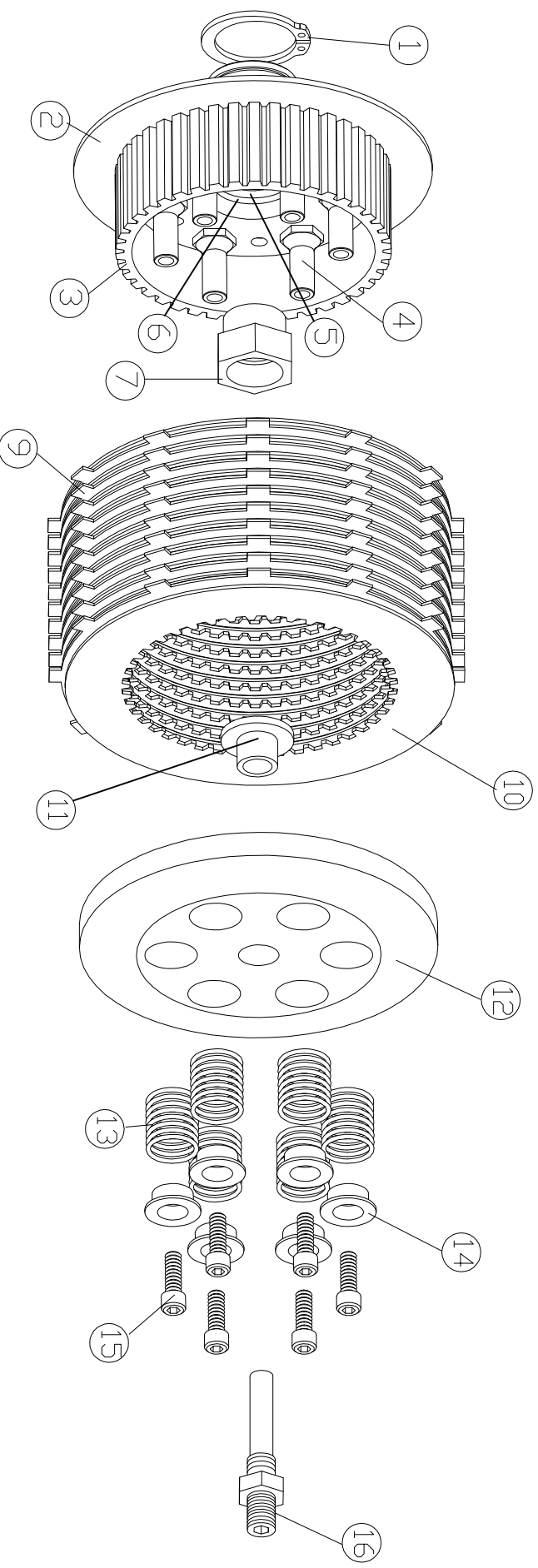


SCORPION BILLET CLUTCH ASSEMBLY

1998-2005 DYNA & 1998-2006 BIG TWIN

608-30-10098



No.	QTY.	PART #.	DESCRIPTION	No.	QTY.	PART #.	DESCRIPTION
1	1	201011	HEAVY DUTY SNAP RING	10	10	204030	STEEL DRIVE PLATES
2	1	204002	CLUTCH HUB	11	1	SR INSERT	THREADED INSERT (INSTALLED)
3	1	204003	CLUTCH DISK SPLINE	12	1	204004	CLUTCH PRESSURE PLATE
4	6	204005	STUD CLUTCH PACK ASSEMBLY	13	6	MT-95	CLUTCH SPRING (GOLD) 40 Lbs.
5	1	201006	SHAFT POSITION WASHER Installed	13	6	MT-7	CLUTCH SPRING (GOLD) 58 Lbs.
6	1	201007	BELLVILLE WASHER Installed	13	6	MT-23	CLUTCH SPRING (GREEN) 82 Lbs.
7			OEM NUT	14	6	MT-90	SPRING CUP
9	10	204021	FRICITION PLATES	15	6	6mm x1.	6mm x1. SOCKET HEAD CAP SCREW
				16	1	204009	CLUTCH ADJ. SCREW & NUT