



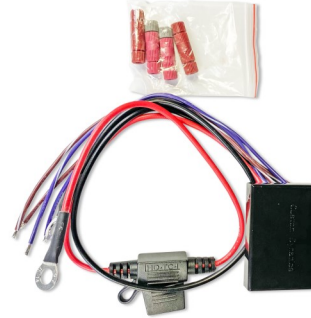
Custom Dynamics® Auto-Cancel Turn Signal Module Installation Instructions

We thank you for purchasing the Custom Dynamics® Auto-Cancel Turn Signal Module. Our products utilize the latest technology and high quality components to ensure you the most reliable service. We offer one of the best warranty programs in the industry and we back our products with excellent customer support, if you have questions before or during installation of this product please call Custom Dynamics® at 1(800) 382-1388.

Part Numbers: CD-ATC-5

Package Contents:

- Auto-Cancel Turn Signal Module (1)
- Posi-Tap Connector (2)
- Posi-Lock Connector (2)



Fits: Universal hardwire application for 1973-1991 Sportster, 1973-1989 FX and 1973-1986 FL models or any custom motorcycle.

Installation:

1. Disconnect the negative battery cable from the battery.
 2. Locate and remove the existing flasher module from the motorcycle.
 3. Install the Auto-Canceling Turn Signal Module. Refer to the wiring diagram on Page 2 for wire connections.
 4. Reconnect the negative battery cable to the battery.
 5. Test the operation of the Auto-Canceling Turn Signal Module.
- **Mode 1:** Press turn signal button for 1 second, turn signal light will flash for 10 seconds, then self cancel. This mode is usually used when changing lanes.
 - **Mode 2:** Press turn signal button for 2 seconds, turn signal light will flash for 20 seconds, then self cancel. This mode is usually used when slowing down to go around a corner.
 - **Mode 3:** Press turn signal button for 4 seconds, turn signal light will flash for 40 seconds, then self cancel. This mode is usually used when stopping at a signal light and turn will be made after stopping.
 - **Mode 4:** Hazard Mode - is available all the time and will flash until cancelled. To engage, depress both the left and right turn signal buttons for 1 second. To cancel, depress both buttons again for one second.
- Note:** Modes 1,2,3 can be canceled by pressing the turn signal button a second time
6. Test the operation of all lighting before riding.



ATTENTION

Please read all Information below before Installation

Warning: Disconnect negative battery cable from battery; refer to owner's manual. Failure to do so may result in electrical shock, injury, or fire. Secure negative battery cable away from positive side of battery and all other positive voltage sources on vehicle.

Safety First: Always wear appropriate safety gear including safety glasses when performing any electrical work. It is highly recommended that safety glasses be worn throughout this installation process. Be sure vehicle is on level surface, secure and cool.

Important: This product is designed and intended for use as auxiliary lighting only. It is NOT intended to replace any original equipment lighting installed on the vehicle and should not be used for that purpose. This product must be wired so that it does not interfere with any original equipment lighting.

Important: Ambient install temperature must be 60 degrees F or higher. Allow 24 hours for tape to cure before washing or prolonged use of vehicle.

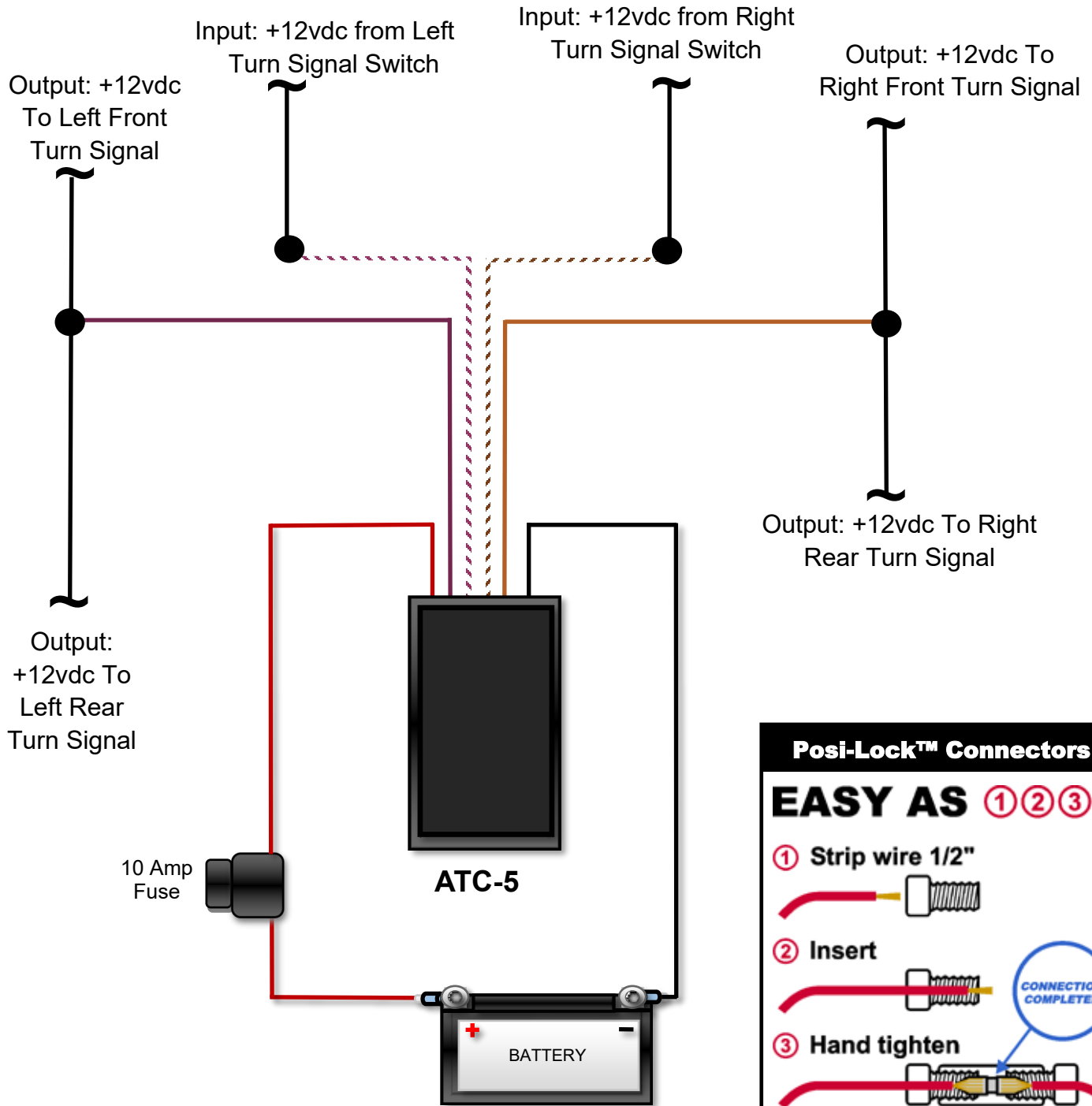
NOTE: If you're not using OEM turn signal switches, we recommend a momentary type turn signal switches. Latching switches are not recommended, however, they will work in only Mode 3 and Mode 4.

NOTE: Auto-Canceling Turn Signal Module will work with LEDs or incandescent bulbs.

NOTE: Do not exceed 10 Amps per output or 20 Amps max per module.

Questions? Call us at: 1 (800) 382-1388 M-TH 8:30AM-5:30PM / FR 9:30AM-5:30PM EST

Installation Instructions - Page 2.



Posi-Lock™ Connectors

EASY AS ① ② ③

① Strip wire 1/2"



② Insert



③ Hand tighten



WIRE LEGEND

RED: BATTERY POSITIVE
BLACK: BATTERY NEGATIVE
BROWN: RIGHT TURN OUTPUT
BROWN/WHITE: RIGHT TURN INPUT
PURPLE: LEFT TURN OUTPUT
PURPLE/WHITE: LEFT TURN INPUT

Posi-Tap™
TAP CONNECTOR

QUICK & EASY

- 1 Insert Hot Wire
- 2 Tighten
- 3 Strip Leads
- 4 Insert & Tighten

POWERS UP TO (4) LEADS AT ONCE!

NO CRIMPING

NO TOOLS NEEDED

- TAPS WIRES WITHOUT CUTTING
- TOTAL WIRE INTEGRITY IS MAINTAINED
- INSTALLS IN SECONDS BY HAND
- NO CRIMPING OR TOOLS REQUIRED
- RELIABLE OR PERMANENT
- LESS RESISTANCE
- VIBRATION PROOF
- FULLY INSULATED

Questions? Call us at: 1 (800) 382-1388 M-TH 8:30AM-5:30PM / FR 9:30AM-5:30PM EST