

PROBEAM®

BY CUSTOM DYNAMICS®

Custom Dynamics® ProBEAM® Fillerz® LED Inserts Installation Instructions

We thank you for purchasing the Custom Dynamics® ProBEAM® Fillerz® LED Inserts! Our LEDs offer maintenance free service and higher visibility. Our ProBEAM® product line utilizes the latest technology and automotive grade components to ensure the highest level of reliable service. Custom Dynamics® offers one of the best warranty programs and customer support in the industry. If you have any questions during the installation of this product please call us at 1(800) 382-1388.

Part Number: PB-FILL-R-B PB-FILL-S-B
PB-FILL-R-C PB-FILL-S-C
US Patent D814673, D824553 & D846,166
China Patent ZL201730501975.7

Package Contents:

- ProBEAM® Fillerz® LED Inserts (1 pair)
- MPR-BCM-PLUG 6 Pin Adapter (1)
- 4" Cable Tie (8)
- ISO Alcohol Wipe (1)

Fitment: 2014-2020 Road King®, Electra Glide®, Ultra® and Road Glide®. Also fits CVO™ Models (If painted filler panels are removed and BCM has not be re-programmed from stock programing).



ATTENTION

Please read all Information below before Installation

Note:

- Functions as **Run/Turn** on 2019-2020 Electra Glide® Standard (FLHT), 2014-2020 Road King® Standard, 2014-2015 Limited CVO™, & 2015 Road Glide Ultra CVO™. (ProBEAM® Eclipze® required for run, brake, turn function - sold separately, see page 4).
- The ProBEAM® Fillerz® are designed to be secured in place by the 3M™ backing tape on the Fillerz® Inserts, not by the alignment tabs (See Photo 3).
- This product is designed and intended for motorcycle auxiliary lighting use only. This product is **NOT** intended to replace any OEM lighting installed on the motorcycle and should not be used for that purpose. This product must be wired in such a manner that it does not interfere with any OEM lighting.

*****IMPORTANT*****

CAN Bus Models: This LED product is BCM compliant. However, you must run the 4 way hazard flashers for 3 minutes to allow the BCM to sync the new load after the new LED turn signals are installed.

Non-CAN Bus Models: A SMART Signal Stabilizer® or Load Equalizer is required to ensure proper turn signal function and have the proper flash speed.

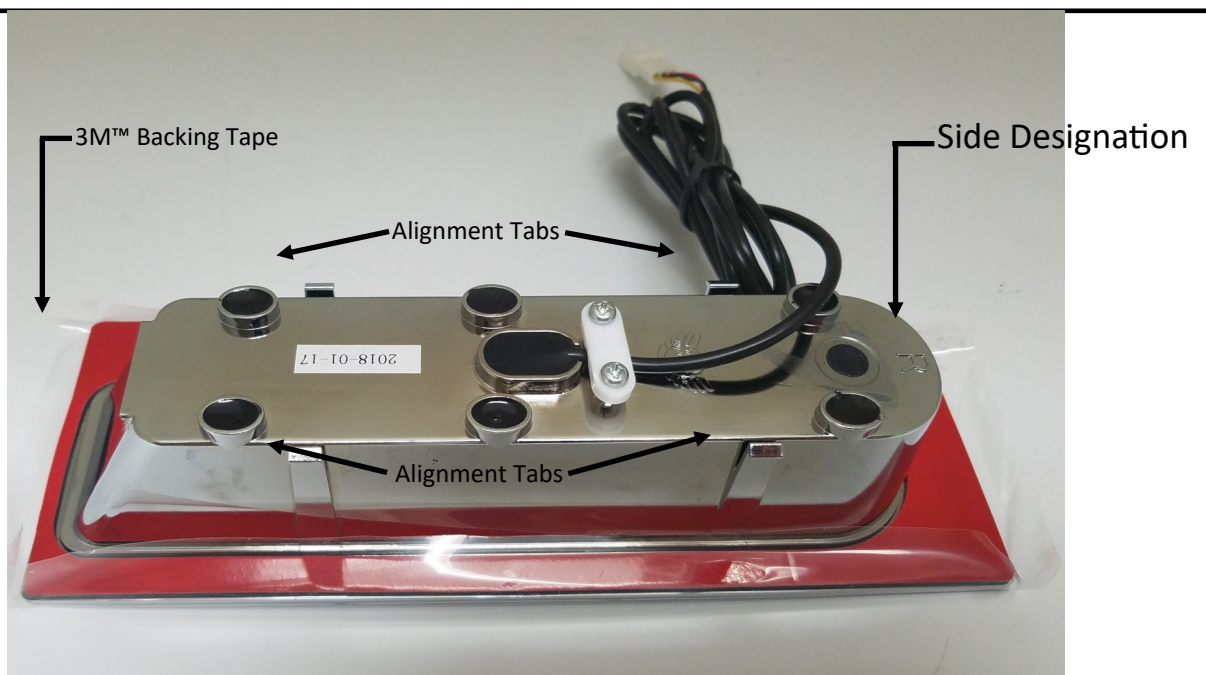
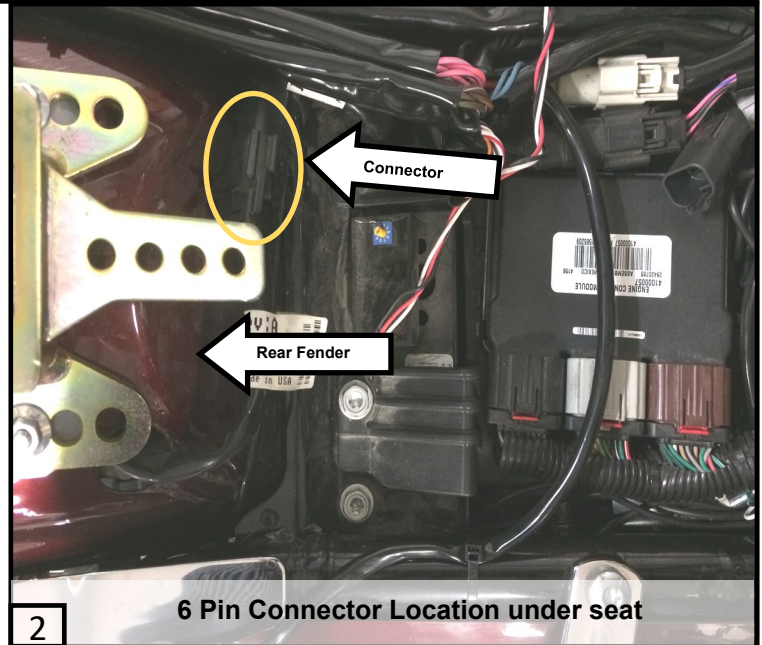


Questions? Call us at: 1 (800) 382-1388 M-TH 8:30AM-5:30PM / FR 9:30AM-5:30PM EST

Installation Instructions - Page 2

Installation:

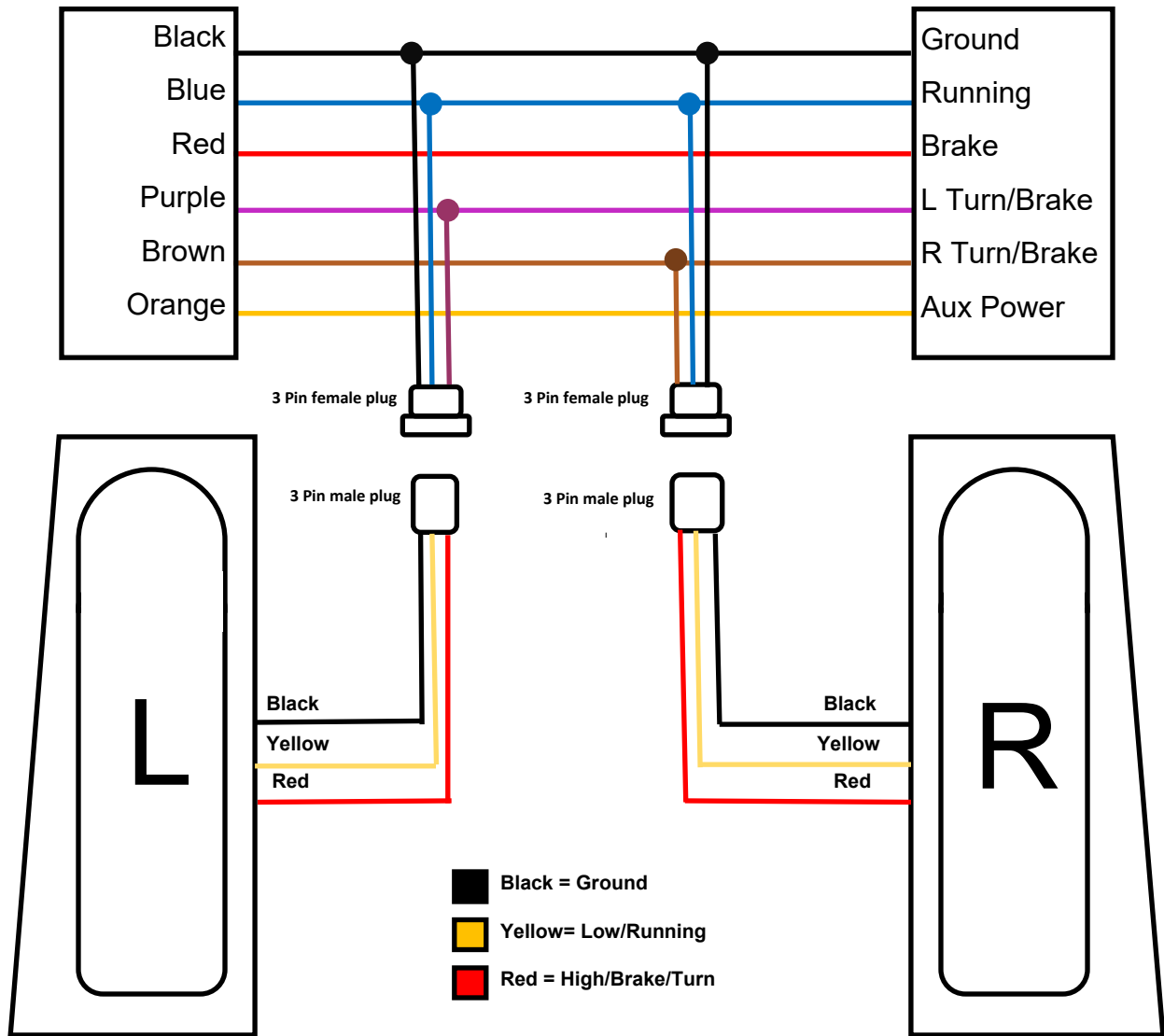
1. Remove the hard bags to allow access to the bag support brackets on the fender.
2. Remove the main seat on the bike and locate the 6 pin connector going to the rear fender. Unplug and install the MPR-BCM-PLUG adapter in line (See Photo 2).
3. Clean the surface area of the bag support bracket areas with the provided ISO Alcohol Wipe and allow to dry.
4. Verify Left and Right Fillerz® panels before installing (See Photo 3).
5. Remove the red protective film of the 3M™ tape from the back of Fillerz®. Line up the bottom edge of Fillerz® with bottom edge of bag support bracket. Push Fillerz® into place until the alignment tabs click (See Photo 3). Apply pressure evenly over the Fillerz® to ensure the tape is applied evenly.
5. Route the wires from Fillerz® along the fender struts to the MPR-BCM-PLUG location. Secure the wires with the provided 4" cable ties.
6. Connect the left side Fillerz® to the MPR-BCM-PLUG 3 pin connector that has a purple wire. Connect the right side Fillerz® to the 3 pin connector with the brown wire.
7. Functions as **Run/Brake/Turn** on 2014- 2020 Electra Glide® Ultra Classic®/Low, Ultra Limited/Low, Road Glide® Ultra, 2020 Road Glide Limited 2016 Road Glide Ultra CVO™, 2016-2020 Limited CVO™. Functions as **Run/Turn** on 2019-2020 Electra Glide® Standard (FLHT), 2014-2020 Road King® Standard, 2014-2015 Limited CVO™, & 2015 Road Glide Ultra CVO™. ([ProBEAM® Eclipze](#) required for run, brake, turn function - sold separately) (see page 4).
8. Test running, brake and turn signal functions.



Installation Instructions - Page 3

MPR-BCM-PLUG Diagram With Fillerz® as Run-Brake and Turn

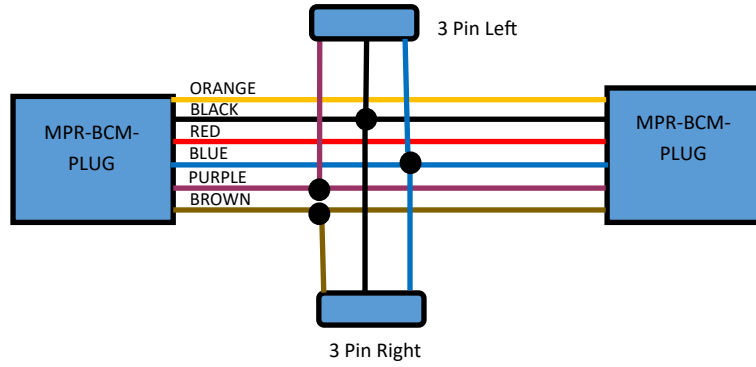
Be sure the left Fillerz® 3 pin male plug is connected to the MPR-BCM-PLUG adapter's 3 pin female plug with the purple wire and the right Fillerz® 3 pin male plug is connected to the MPR-BCM-PLUG adapter's 3 pin female plug with the brown wire (see below).



Notice: This product is designed and intended for motorcycle auxiliary lighting use only. This product is **NOT** intended to replace any OEM lighting installed on the motorcycle and should not be used for that purpose. This product must be wired in such a manner that it does not interfere with any OEM lighting.

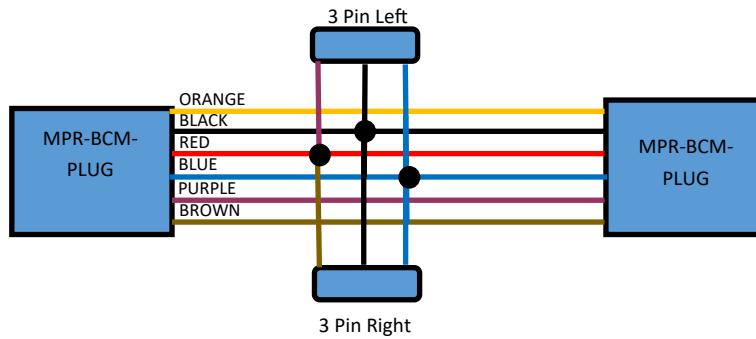
Installation Instructions - Page 4

Road King, Electra Glide Standard
Run-Turn (Original Configuration)



Road King, Electra Glide Standard
Run-Brake

*Purple and Brown Wires going from the 3 Pin Connector to the Y Harness must be cut and moved to the red wire of the Y harness.



2019-2020 Electra Glide® Standard (FLHT), 2014-2020 Road King® Standard, 2014-2015 Limited CVO™, & 2015 Road Glide Ultra CVO™

Run-Brake-Turn

*PB-EPZ required for run, brake, turn function (sold separately)

