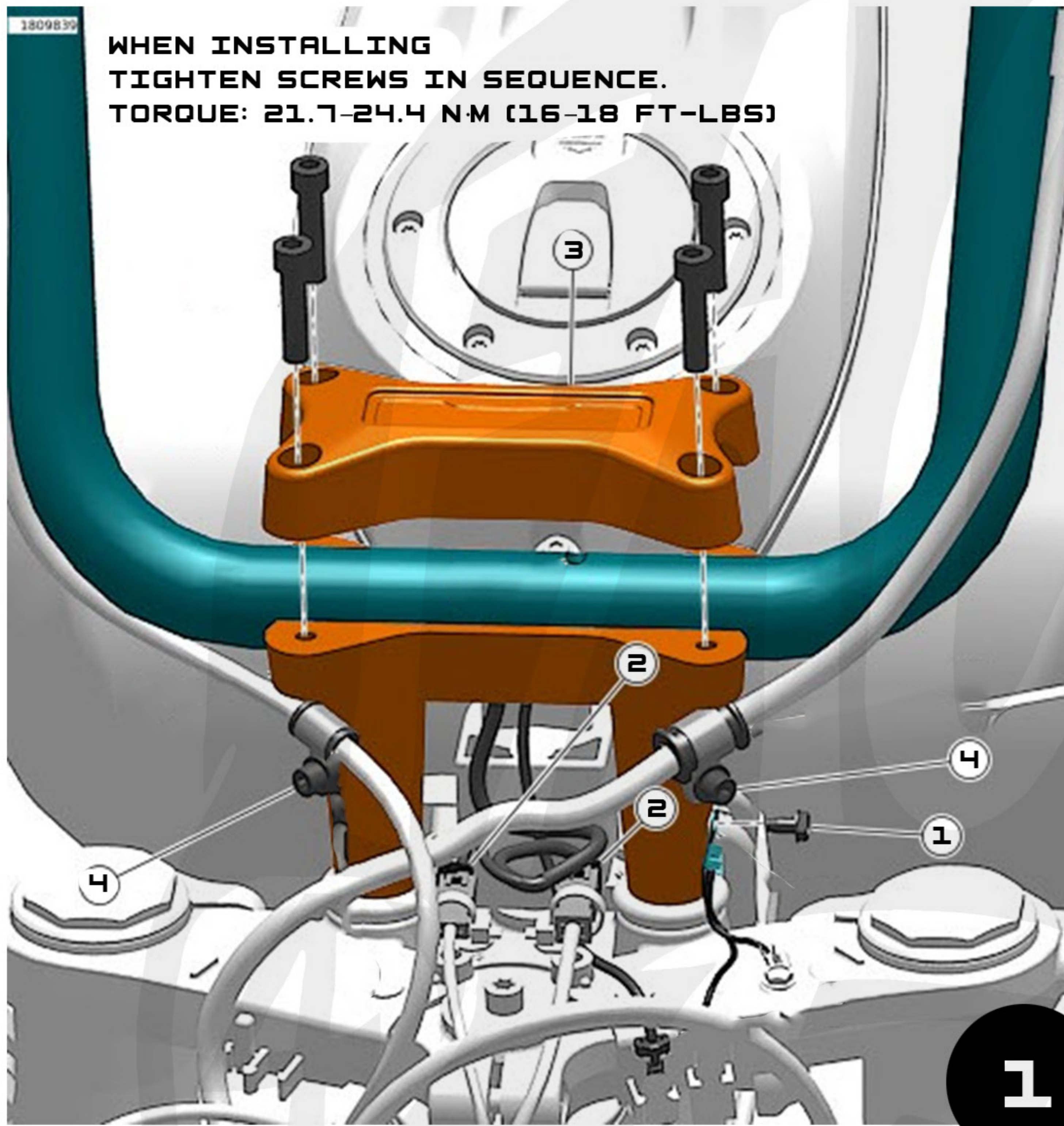


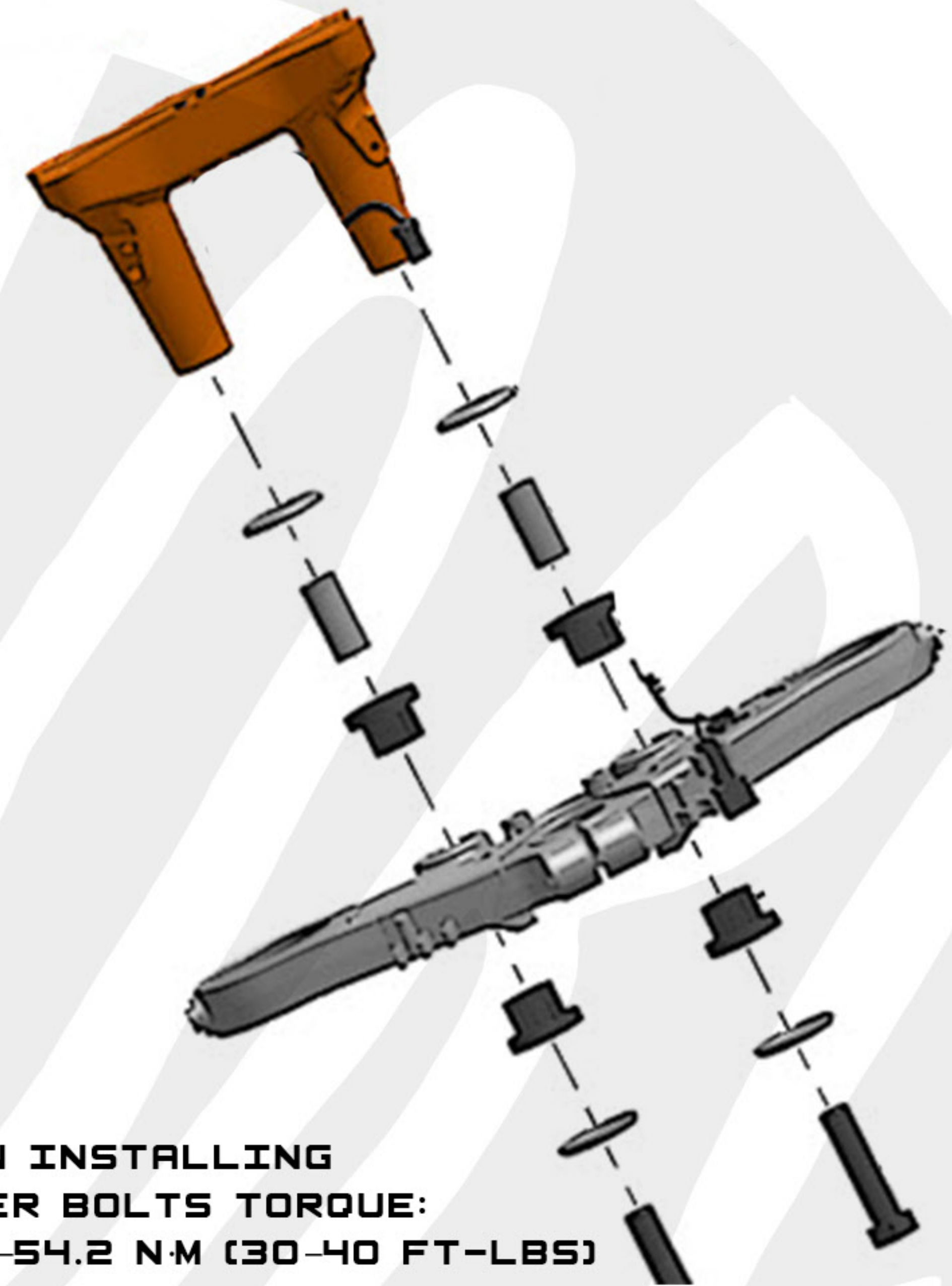
2023 CVO ROAD GLIDE 12" 14" HANDLEBAR INSTALL

1. REMOVE SCREW/ ATTACH AFTER YOU INSTALL NEW BARS.
2. UNPLUG WIRES FROM HANDLEBAR AND REMOVE CONTROLS.
3. UNBOLT RISER AND REMOVE HANDLEBAR.
4. UNCLIP CABLES.

REMOVE RISER TO TO RUN BRAKE AND CLUTCH CABLE UNDERNEATH RISER.



1809837
WHEN INSTALLING
TIGHTEN SCREWS IN SEQUENCE.
TORQUE: 21.7-24.4 N·M (16-18 FT-LBS)



WHEN INSTALLING
RISER BOLTS TORQUE:
40.7-54.2 N·M (30-40 FT-LBS)

1. UNCLIP BRAKE AND CLUTCH LINE TO REROUTE.

1. RUN CLUTCH AND BRAKE CABLE BEHIND TRIPLE TREE AND IN BETWEEN RISER HOLE.
2. ZIP TIE CABLES TOGETHER IN BETWEEN THE RISERS.
3. REINSTALL CLIPS TO RISER.
4. LEAVE CABLES DETACHED FROM FRAME. ZIP TIE TOGETHER
5. INSTALL FACTORY 47 HANDLEBAR AND PLUG IN WIRES.

