



HogLIGHTS

CAN YOU SEE ME NOW
ARSEHOLE!

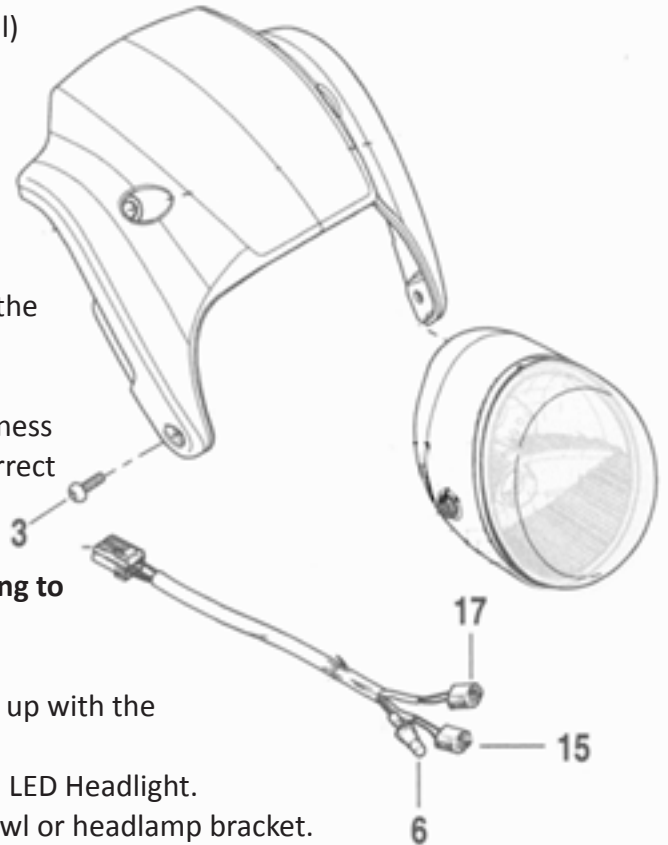
V-Rod Installation Guide

Thank you for purchasing the HogLights V-Rod headlight! Our products utilise the latest technology and high quality components to ensure you the most reliable service. We offer one of the best warranty programs in the industry and we back our products with excellent customer support. If you have questions before or during installation of this HogLight please call (+61) 7 3350 3000 or email us (support@hoglights.com.au)

Tools you will need:

- 5/32 Allen Key
- HogLights V-Rod LED Headlight
- 1 ½ beers (or whatever you prefer to drink)
- 15amp fuse if you don't RTFM (read the fucking manual)

1. Using the 5/32 Allen Key, remove the two screws (#3), one each side (you may need to loosen the Allen Key bolts from the cowl to remove).
2. Drop the headlight assembly down out of the cowl or headlamp bracket.
3. Unplug the headlight wiring harness (#6, 17, 15) from the headlight assembly.
4. Remove the parker bulb from the harness (#6)
5. Connect the HogLights V-Rod LED Headlight to the harness (#17/15). Ensure you connect the high beam to the correct plug on the harness (High beam will have a GREY connector).
6. Ensure the **black wires on the HogLight plug is matching to the black wires on the harness.**
7. Plug the white T10 connector into park light plug (#6).
8. Ensure that the **black mark** on the T10 connector lines up with the **positive wire** on the park light harness.
9. Remove the supplied screws from the HogLights V-Rod LED Headlight.
10. Replace the HogLights V-Rod LED Headlight into the cowl or headlamp bracket.
11. Use the screws supplied with the HogLights V-Rod LED headlight to secure the unit.
12. Test the HogLights V-Rod LED headlight for correct operation.
13. Sit back, relax and enjoy the rest of your drink!



HogLights products should always be installed by a qualified motorcycle technician. If you are unsure of your ability to properly install a product, please have the product installed by your local motorcycle dealer. HogLights takes no responsibility for damages caused by improper installation. Caution: When installing electronics it is extremely important to pay close attention to how wires are routed, especially when mounting products to the front fender, front forks, or fairing of your motorcycle. Always be sure to turn the handlebars fully left, fully right, and fully compress the suspension to ensure the wires will not bind and have enough slack for your motorcycle to operate properly.