



A Division of Thiessen Products, Inc.

## INSTRUCTION SHEET FOR TOOL #5829

### CYLINDER TORQUE PLATES

Designed for Milwaukee 8

**CAUTION:** *Wear safety glasses. Excessive force may damage the parts!*

Use to simulate operating stress conditions when boring and honing cylinders.

1. Refer to the appropriate H-D® Service Manual for removal of cylinder.
2. Place Cylinder on work bench, spigot down. Place cylinder on a soft surface to protect spigot. **See Fig 1.**
3. Install UPPER TORQUE PLATE NO. **5829-2** over ring dowel holes on top of cylinder with head gasket in place. The side labeled "**THIS SIDE AWAY FROM CYLINDER**" should be facing up. **See Fig 2.**
4. Turn the cylinder and plate over on the bench with the cylinder spigot facing up. **See Fig 3.**
5. Install LOWER TORQUE PLATE No. **5829-1** and lower cylinder gasket over spigot with counter bored holes facing up. Align counter bored holes with those in the cylinder. **See Fig 4.**
6. Apply thread lube on all bolt threads.
7. Install (4) 6-1/2" long SHCS No. **5829-3** and (4) WASHERS No. **5829-4** through holes and tighten by hand into upper plate. Make sure all bolts are started before screwing the bolts in place to prevent binding. Use a 3/8 inch Allen key to fully seat, but not tighten the four bolts. **See Fig 5.**
8. Torque SHCS No. **5829-3** by following the pattern in **Fig 6** and to the specifications in **Fig 7**. Cylinder is now properly stressed for boring or honing.
9. Align Tab, Torque Plate No. **1073-2** with the 5/16-18 threaded holes using the (2) 5/16-18 SHCS No. **2405**

**FIG. 1****FIG. 2**

**NOTE: PLEASE READ ALL INSTRUCTIONS COMPLETELY BEFORE PERFORMING ANY WORK!  
IF YOU DO NOT KNOW WHAT YOU ARE DOING, DO NOT DO IT!**

No information in this instruction sheet pertaining to motorcycle repair is represented as foolproof or even altogether safe. Even something safe, done incorrectly or incompletely can and will backfire. You and only you are responsible for the safety of your repair work and for your understanding the application and use of repair equipment, components, methods and concepts.

Each and every step this tool is designed to do must be carefully and systematically performed safely by you. All information listed in this instruction sheet has been tested, re-tested and used daily in JIMS® Research and Development Department.

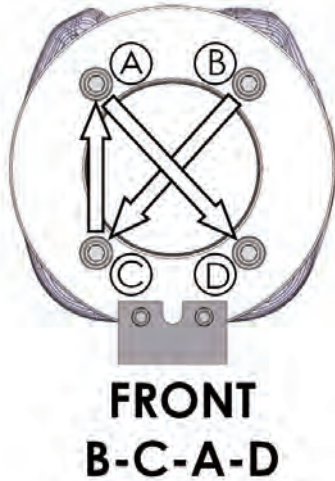
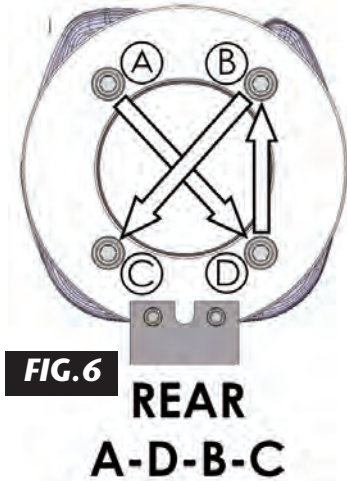
**ALWAYS WEAR SAFETY GLASSES OR OTHER FACE AND EYE PROTECTION SUCH AS FULL FACE SHIELD. JIMS® IS NOT RESPONSIBLE FOR DAMAGE, INJURY, OR YOUR WORK. JIMS® IS NOT RESPONSIBLE FOR THE QUALITY AND SAFETY OF YOUR WORK.**

*Performance Parts For Harley-Davidson Motorcycles*

# INSTRUCTION SHEET FOR TOOL #5829

as required on the Lower Torque Plate **5829-2** or the Upper Torque Plate No. **5829-1** based on your application. **See Fig 8**

**10.** Obtain assistance and lift the completed torque plate assembly and secure in a properly installed bench vise of sufficient capacity. **See Fig 9**



FASTENER	TORQUE VALUE	
Cylinder Head bolt first torque	20-30 ft-lbs	27.1-40.7 N-m
Loosen cylinder head bolts 1 rotation	-	-
Cylinder head bolt second torque	9-11 ft-lbs	12.2-14.9 N-m
Cylinder head bolt third torque	25-27 ft-lbs	33.9-36.6 N-m
90° additional turn	-	-

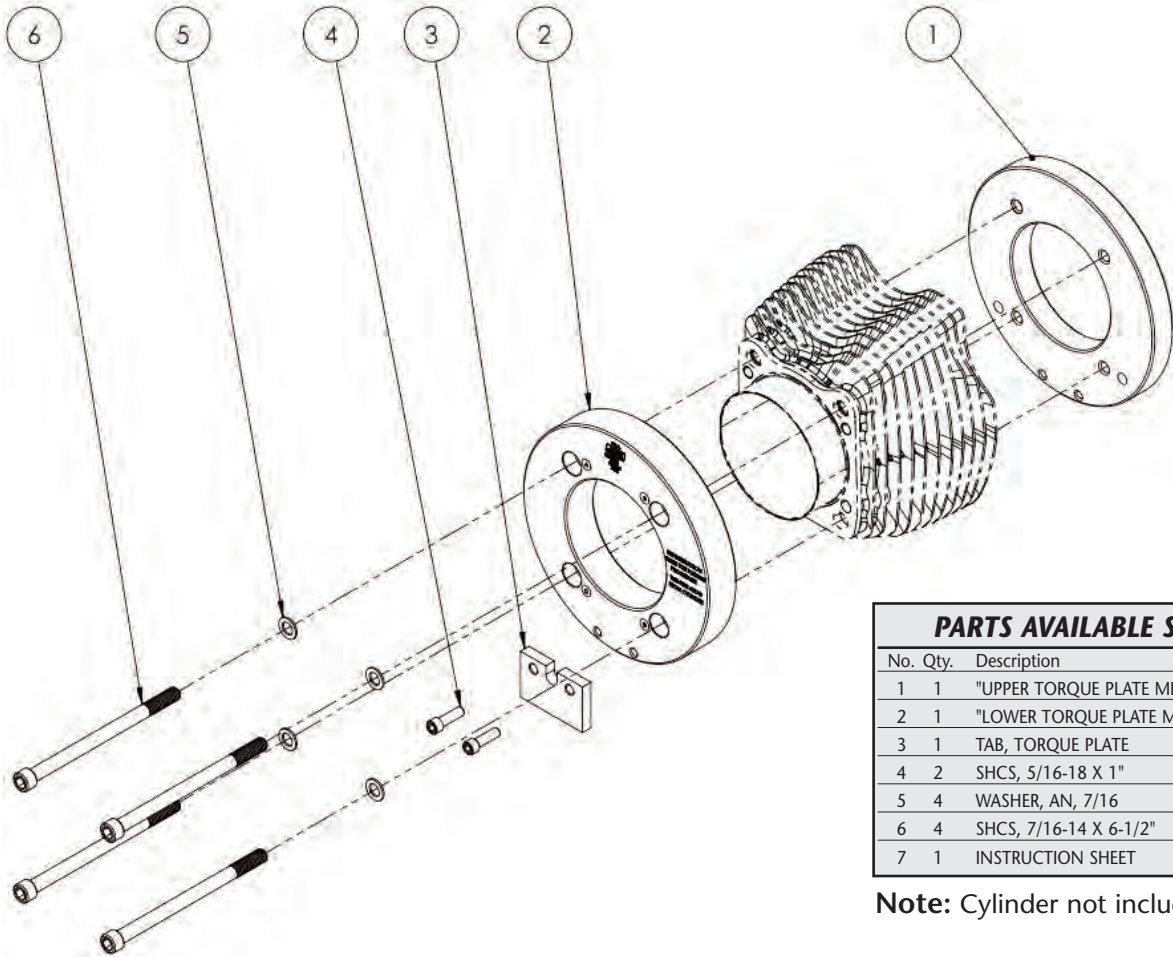
**FIG. 7**





A Division of Thiessen Products, Inc.

**INSTRUCTION SHEET FOR TOOL #5829**



<b>PARTS AVAILABLE SEPARATELY</b>			
No.	Qty.	Description	Part No.
1	1	"UPPER TORQUE PLATE MILWAUKEE 8"	5829-2
2	1	"LOWER TORQUE PLATE MILWAUKEE 8"	5829-1
3	1	TAB, TORQUE PLATE	1073-2
4	2	SHCS, 5/16-18 X 1"	2405
5	4	WASHER, AN, 7/16	5829-4
6	4	SHCS, 7/16-14 X 6-1/2"	5829-3
7	1	INSTRUCTION SHEET	

**Note:** Cylinder not included.

**CAUTION: WEAR SAFETY GLASSES OVER YOUR EYE'S.**  
 SEE JIMS® CATALOG FOR HUNDREDS OF TOP QUALITY PROFESSIONAL TOOLS.  
 THE LAST TOOLS YOU WILL EVER NEED TO BUY.

*Performance Parts For Harley-Davidson Motorcycles*