



A Division of Thiessen Products, Inc.

## INSTRUCTION SHEET FOR TOOL #5831

### CASTLE NUT SOCKET

JIMS No. 5831

#### TOOLS REQUIRED:

9/16 COMBINATION WRENCH  
 7/8 COMBINATION WRENCH OR SOCKET  
 SOCKET WRENCH  
 H19 (3/4" ALLEN) SOCKET  
 PERMANENT MARKER

**CAUTION:** *Wear safety glasses. Excessive force may damage the parts!*

#### Removal

1. Secure fork tube in vise using fork holder (not included).
2. Remove endcap from fork tube using #H19 socket ( 3/4" Allen socket). **See Fig 1**
3. Loosen Cap Lock Nut and remove endcap and spacer. Use 9/16 Inch wrench to break lock nut free. Remove endcap, dampening rod nut and spacer. **See Fig 2**
4. Slide tool #5831 over dampening rod assembly and align with fork castle nut. **See Fig 3**
5. Seat tool #5831 onto castle nut and install washer #5831-1 and nut # 5831-2 onto dampening rod. **See Fig 4**
6. Tighten until dampening nut bottoms out on dampening rod. Using a 7/8" wrench or socket, break castle nut loose by turning counter clockwise. **See Fig 5**
7. Unscrew castle nut while applying back pressure. **See Fig 6**
8. Remove castle nut.
9. Follow manufacturer's instructions for removal of the shock cylinder.



**FIG. 1**



**FIG. 2**

**NOTE: PLEASE READ ALL INSTRUCTIONS COMPLETELY BEFORE PERFORMING ANY WORK!  
 IF YOU DO NOT KNOW WHAT YOU ARE DOING, DO NOT DO IT!**

No information in this instruction sheet pertaining to motorcycle repair is represented as foolproof or even altogether safe. Even something safe, done incorrectly or incompletely can and will backfire. You and only you are responsible for the safety of your repair work and for your understanding the application and use of repair equipment, components, methods and concepts.



Each and every step this tool is designed to do must be carefully and systematically performed safely by you. All information listed in this instruction sheet has been tested, re-tested and used daily in JIMS® Research and Development Department.

**ALWAYS WEAR SAFETY GLASSES OR OTHER FACE AND EYE PROTECTION SUCH AS FULL FACE SHIELD. JIMS® IS NOT RESPONSIBLE FOR DAMAGE, INJURY, OR YOUR WORK. JIMS® IS NOT RESPONSIBLE FOR THE QUALITY AND SAFETY OF YOUR WORK.**

*Performance Parts For Harley-Davidson Motorcycles*

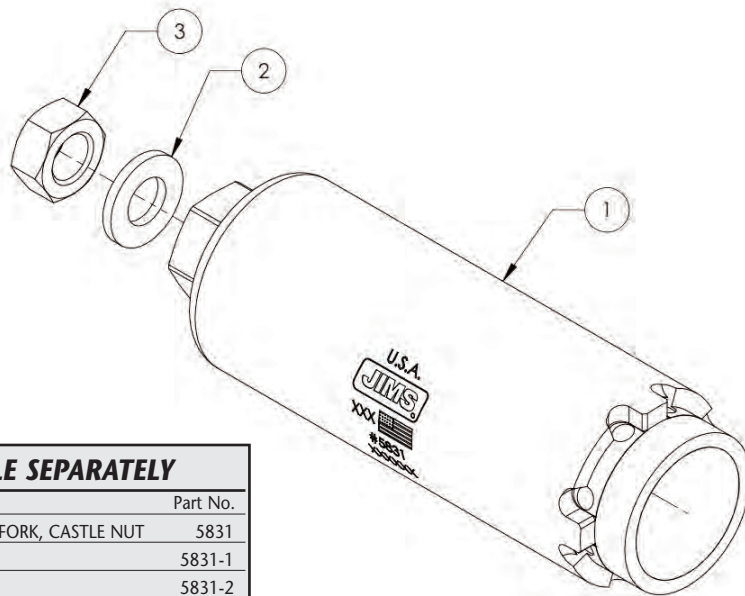
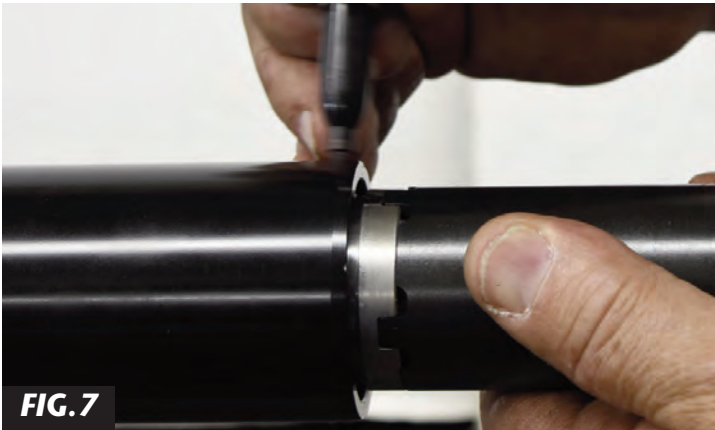
## INSTRUCTION SHEET FOR TOOL #5831

### Installation

1. Before installing the shock cylinder, determine the location of the internal starting thread for the shock tube. **See Fig 7**
2. Mark this position (on the fork tube) and the castle nut. Determine the starting position for the castle nut external thread. Mark this location on the top edge of the castle nut. **See Fig 8**
3. Install shock cylinder per manufacturer's instructions.
4. Slide dampening rod and spring through castle nut and Castle nut tool #5831. 
5. Place washer #5831-1 and nut #5831-2 onto dampening rod and tighten nut #5831-2 until the nut bottoms out. 
6. Slide castle nut into shock tube and align thread start markings on shock tube and castle nut. **See Fig 9**
7. Compress spring using hands and start threading castle nut into shock tube. Take care to not cross thread the castle nut and shock tube.
8. Screw the Castle Nut into the shock tube until it bottoms out.
9. Using a 7/8" wrench or socket, tighten the castle nut to 69 - 83 foot pounds.
10. Remove Nut #5831-2 and washer #5831-1. Remove tool # 5831.
11. Screw dampening lock nut onto dampening rod shaft. 
12. Screw fork tube cap onto dampening rod.
13. Tighten dampening lock nut to 12.8 - 16.6 foot pounds.
14. Carefully line up and screw the fork tube cap into the shock tube. Tighten to 21.3 - 28.8 foot pounds using a #H19 socket or 19mm Allen socket.
15. Wipe down and store tool # 5831 appropriately.

*Performance Parts For Harley-Davidson Motorcycles*

**INSTRUCTION SHEET FOR TOOL #5831**



<b>PARTS AVAILABLE SEPARATELY</b>			
No.	Qty.	Description	Part No.
1	1	REMOVAL TOOL, INNER FORK, CASTLE NUT	5831
2	1	10mm FLAT WASHER	5831-1
3	1	10mm HEX NUT	5831-2
4	1	INSTRUCTION SHEET	7029-IS

*Performance Parts For Harley-Davidson Motorcycles*