

THANK YOU FOR CHOOSING CRUSHER!

PROTECT YOURSELF AND OTHERS FROM POTENTIAL INJURY AND PROPERTY DAMAGE OR LOSS. PAY CLOSE ATTENTION TO ALL INSTRUCTIONS, WARNINGS, CAUTIONS, AND NOTICES REGARDING THE INSTALLATION, USE, AND CARE OF THIS PRODUCT.

⚠ WARNING

THIS INDICATION ALERTS YOU TO THE FACT THAT IGNORING THE CONTENTS DESCRIBED HEREIN CAN RESULT IN POTENTIAL DEATH OR SERIOUS INJURY.

NOTICE

This indication alerts you to the fact that ignoring the contents described herein may negatively affect product performance and functionality or damage the product itself or the product to which it is being attached.

ENSURE THAT THE FOLLOWING PARTS HAVE BEEN INCLUDED IN THE KIT:

- 2 Muffler Assembly
- 2 Exhaust Clamp
- 2 Nutplates
- 4 5/16" Washer
- 4 5/16"-18 x 5/8" Flange Bolt
- 2 5/16"-18 x 3/4 Hex Head Bolt
- 1 Muffler Bracket
- 2 5/16"-18 Lock Washer
- 1 Installation Instructions

YOU WILL ALSO NEED:

Flat Blade Screwdriver, 5/16" Nut Driver, 3/8" Ratchet with 9" Extension, Sockets: 3/8", 9/16"

NOTICE

These installation instructions contain important information. Ensure that the end user receives this copy and is aware of its importance for future use.

STEP 1 Read and understand all **STEPS** in the instructions before starting the installation. Park the motorcycle on a hard, level surface and turn **IGN OFF**. Allow the engine and exhaust system to cool.

⚠ WARNING

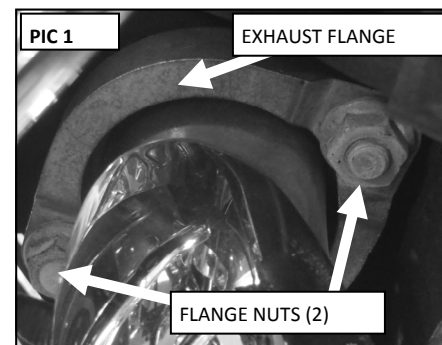
INSTALLATION REQUIRES CONTACT WITH THE EXHAUST SYSTEM. ENSURE THAT THE EXHAUST SYSTEM HAS FULLY COOLED BEFORE BEGINNING TO PREVENT INJURY.

EXISTING MUFFLER REMOVAL:

STEP 2 Loosen the heat shield clamps on both the front and rear head pipes.

STEP 3 Loosen the clamps at the muffler/head pipe junction.

STEP 4 Refer to **PIC 1**. Loosen, but do not remove, the two exhaust flange nuts from each flange located at the cylinder heads.



STEP 5 Remove the hex head bolts securing the muffler to the support bracket. Retain the bolts for later use.

STEP 6 Carefully remove the existing mufflers by sliding them off each head pipe.

NOTE: Penetrating oil may be required to loosen the mufflers from the head pipes.

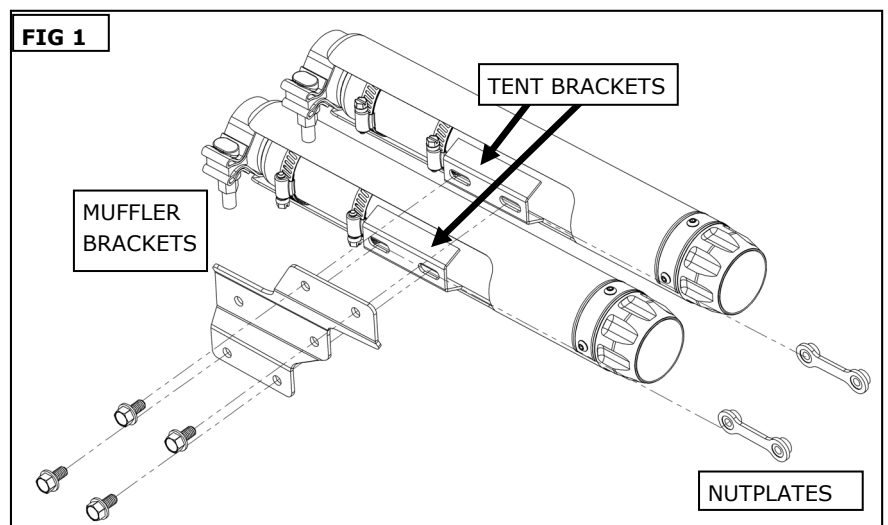
CRUSHER MAVERICK SLIP-ON MUFFLER INSTALLATION:

STEP 7 Remove the mufflers and the bracket from the protective packaging.

STEP 8 Refer to **FIG 1**. Slide the nutplates inside the tent brackets that are welded to each of the mufflers. Using the supplied 5/16"-18 x 5/8" flange head bolts, attach the muffler bracket to the mufflers. Leave them loose at this time.

STEP 9 Slide the included exhaust clamps onto each muffler. The clamp must be accessible when installed.

STEP 10 Slide the mufflers onto the head pipes, align the mounting holes with the bracket. Tighten the clamps enough to hold the mufflers in place and allow for adjustment later.



STEP 12 Using the included 5/16"-18 x 3/4" hex head bolts, nuts, and washers, attach the muffler bracket to the support bracket; leave them loose at this time.

STEP 13 Align muffler and bracket so they sit level and even. Tighten the mounting bolts and the bracket mounting bolts.

STEP 14 Tighten the muffler clamps and flange nuts on both the upper and lower muffler assemblies.

STEP 15 Align head pipe heat shields and tighten the clamps.

STEP 16 Check for adequate clearance between all exhaust system components and motorcycle accessories prone to heat damage.

STEP 17 Be sure to tighten all hardware before starting motorcycle.

NOTICE

It is the end user's responsibility to ensure that all fasteners (including pre-assembled) are tightened before operation of the motorcycle. Kuryakyn will not provide warranty coverage on products or components lost or damaged due to improper installation or lack of maintenance. Periodic inspection and maintenance are required on all fasteners.

EXHAUST CARE:

- 1. Proper tuning is important. Carbureted bikes should be re-jetted and fuel injected bikes should be tuned with a TTS MasterTune tuning system (calibrations available at www.kuryakyn.com) or Vance & Hines FP3 (calibrations available at <http://fp3.vanceandhines.com/> download) by an experienced tuner, on a dyno, with an exhaust gas analyzer.**

2007 and up Harley-Davidson Twin Cam engines run especially lean combined with retarded ignition timing. Lean conditions and/or retarded ignition timing will cause high exhaust temperatures and discolor chrome exhaust.
- 2. Avoid long periods of idling as this can cause discoloration.**
- 3. Make sure there are no exhaust leaks at the junction of the exhaust pipes and cylinder heads. We recommend replacing the gaskets with CRUSHER™ - Cometic exhaust gaskets, P/N 482.**
- 4. Make sure there are no intake leaks. Intake leaks will cause a lean condition and engine overheating leading to discoloration.**
- 5. When installing new chrome exhaust, make sure your hands are clean and free of grease and oil. After installation, thoroughly clean pipes with a soft clean cloth and cleaning solvent that will leave no residue (glass cleaner, alcohol, ammonia, etc...) before starting the motorcycle.**

LIMITED WARRANTY

Küryakyn warrants that any Crusher products sold hereunder, shall be free of defects in materials & workmanship for a period of one (1) year from the date of purchase by the consumer excepting the following provisions:

1. Küryakyn shall have no obligation in the event the customer is unable to provide a receipt showing the date the customer purchased the product/s.
2. The product must be properly installed, maintained & operated under normal conditions.
3. Küryakyn shall not be liable for any consequential & incidental damages, including labor & paint, resulting from failure of a Küryakyn product, failure to deliver, delay in delivery, delivery in nonconforming condition, or for any breach of contract or duty between Küryakyn & a customer.
4. Crusher products are often intended for use in specific applications. Küryakyn makes no warranty if a Küryakyn product is used in applications other than intended.
5. Crusher electrical products are warranted for one (1) year from the date of purchase by the consumer. L.E.D.'s contained in components of Küryakyn products will be warranted for defects in materials & workmanship for 3 years from the date of purchase where as all other components shall be warranted for one (1) year.
6. Exhaust systems are warranted for manufacturing defects only. There is no warranty on exhaust pipes & mufflers with regard to any discoloration. Discoloration or "bluing" is caused by tuning characteristics, exhaust timing, carburetor jetting, overheating, etc. & is not caused by defective manufacturing.
7. Küryakyn makes no warranty of any kind in regard to other manufacturer's products distributed by Küryakyn. Küryakyn will pass on all warranties made by the manufacturer & where possible, will expedite the claim on behalf of the customer, but ultimately, responsibility for disposition of the warranty claim lies with the manufacturer.
8. Merchandise purchased directly from Internet auction sites or any other third party seller is considered sold as is & shall not carry a Küryakyn warranty. All warranty claims must be directed to the original seller. If unsure please contact the seller to verify they are an authorized Küryakyn retailer.

RETURN POLICY

Merchandise determined to be defective may be returned up to one year from the date of purchase. Returns must be processed through original seller. Returned merchandise for any other reason other than warranty claims must be in like new condition & subject to a 20% restocking fee. All returns are subject to inspection for determination of full or partial credit. Any returned part that shows evidence of being used or installed contrary to manufacturer's instructions, &/or subjected to improper handling, packaging or return shipping by the customer, will not be eligible for exchange, refund or warranty consideration. All returned electrical items will be inspected & tested. If electrical item is deemed functional, no credit will be issued & item will be returned. All sales are final on discontinued or closeout merchandise.

RETURN INSTRUCTIONS

Contact one of our prompt, courteous Customer Service representatives toll free at 866-295-5759. Be sure to have the following information available when you call:

- Name
- Part number/s to be returned
- Copy of original invoice
- Reason for return

1. Obtain R.M.A. number which shall remain active & valid for 60 days. (Important: Issuance of R.M.A. does not represent an authorized credit.)
2. Carefully package merchandise to avoid damage during shipment. Depending on its condition, original packaging may not be sufficient.
3. Ship only those items for which the R.M.A. has been issued.
4. Write the R.M.A. number prominently on the outside of package.
5. Ship package freight PREPAID (C.O.D.s will not be accepted) to:

Kuryakyn 454 County Road V V Somerset, WI 54025