

CHROME VELOCIRAPTOR AIR CLEANER, TWIN CAM

9512

THANK YOU FOR CHOOSING CRUSHER!

PROTECT YOURSELF AND OTHERS FROM POTENTIAL INJURY AND PROPERTY DAMAGE OR LOSS. PAY CLOSE ATTENTION TO ALL INSTRUCTIONS, WARNINGS, CAUTIONS, AND NOTICES REGARDING THE INSTALLATION, USE, AND CARE OF THIS PRODUCT.

▲ WARNING

THIS INDICATION ALERTS YOU TO THE FACT THAT IGNORING THE CONTENTS DESCRIBED HEREIN CAN RESULT IN POTENTIAL DEATH OR SERIOUS INJURY.

NOTICE

This indication alerts you to the fact that ignoring the contents described herein may negatively affect product performance and functionality or damage the product itself or the product to which it is being attached.

THIS PRODUCT IS NOT LEGAL FOR SALE OR USE ON POLLUTION CONTROLLED VEHICLES.

ENSURE THAT THE FOLLOWING PARTS HAVE BEEN INCLUDED IN THE KIT:

- 1 Velociraptor Air Cleaner Assembly
- 1 Filter Element
- 1 Support Bracket
- 1 Crankcase Breather Kit
 - 1 90 Degree Fitting
 - 2 Straight Fittings — USE ONE (1)
 - 3 1/4"-20 x 1-1/2" Socket Head Cap Screws
 - 1 Gasket with Adhesive
 - 2 Non-Adhesive Gaskets
 - 4 Cable Ties
 - 1 Breather Adapter
 - 1 16" Hose — NOT USED
 - 1 Tee fitting — NOT USED
- 2 Breather Bolts
- 2 Breather Hoses
- 1 Installation Instructions

YOU WILL ALSO NEED:

Set of Hex Wrenches, Set of Combination Wrenches

NOTICE

These installation instructions contain important information. Ensure that the end user receives this copy and is aware of its importance for future use.

- STEP 1** Read and understand all **STEPS** in the instructions before starting the installation. Park the motorcycle on a hard, level surface and turn **IGN OFF**. Allow the engine and exhaust system to cool. Remove the main fuse.

▲ WARNING

THE END USER'S SAFETY DEPENDS UPON PROPER INSTALLATION OF THIS PRODUCT. IF A STEP IN THESE INSTRUCTIONS IS NOT WITHIN YOUR CAPABILITIES OR YOU DO NOT HAVE THE CORRECT TOOLS, HAVE YOUR DEALER PERFORM THE PROCEDURE. IMPROPER INSTALLATION OF THIS PRODUCT COULD RESULT IN DEATH OR SERIOUS INJURY.

ACCIDENTAL VEHICLE START-UP COULD CAUSE DEATH OR SERIOUS INJURY, REMOVE THE MAIN FUSE BEFORE PROCEEDING.

INSTALLATION REQUIRES CONTACT WITH THE EXHAUST SYSTEM. ENSURE THAT THE EXHAUST SYSTEM HAS FULLY COOLED BEFORE BEGINNING TO PREVENT INJURY.

STEP 2 Remove the existing air cleaner so that the intake flange is completely exposed. Carefully remove any existing gasket material from the flange. Ensure that the flange is clean and dry.

STEP 3 Refer to **PIC 1**. Locate the included Gasket with Adhesive. Remove and discard the adhesive backing from the included Gasket; align it with the intake flange and press it into place.

STEP 4 Refer to **PIC 2**. Locate the included Support Bracket and Breather Bolts.

Align the Bracket slots with the intake flange and Gasket holes. Tighten Breather Bolts.

Ensure the Support Bracket contacts each head when it is in place across the front of the intake flange. If there is a gap between the heads and the Bracket, push the carb inward to eliminate the gap. Tightening the Breather Bolts when a gap is present will result in damage.

Tighten the Breather Bolts.

STEP 5 Locate the included Breather Adapter and Fittings.

Assemble the Breather Adapter and Fittings as shown in **PIC 3**.

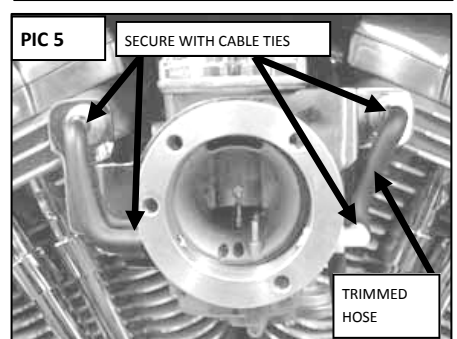
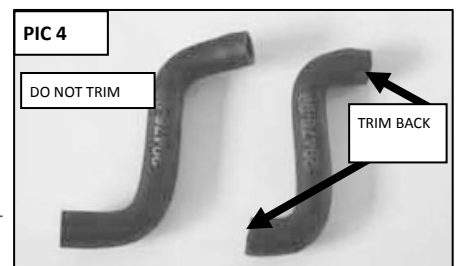
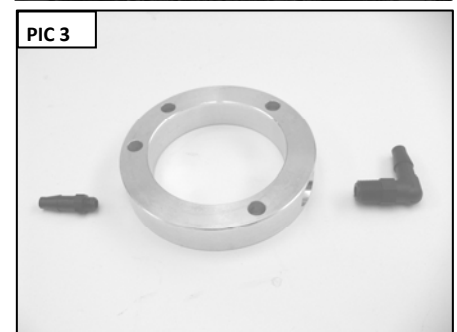
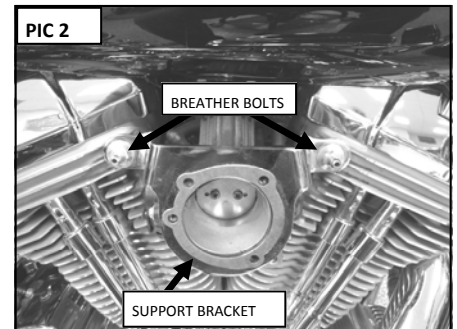
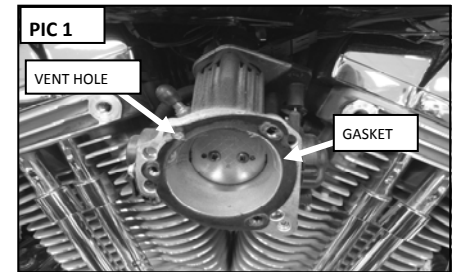
STEP 6 Locate the included Breather Hoses.

Refer to **PIC 4 and 5**. Trim 1/4" from each end of ONE of the included Breather Hoses.

Connect the Hose to the front Breather Bolt and the 90° Fitting on the Breather Adapter.

Connect the remaining Breather Hose to the rear Breather Bolt and the Straight Fitting on the Breather Adapter.

Ensure that the Hoses are free of kinks or tight bends. Secure the ends of the two Hoses with the included Cable Ties; trim the excess Cable Tie ends.

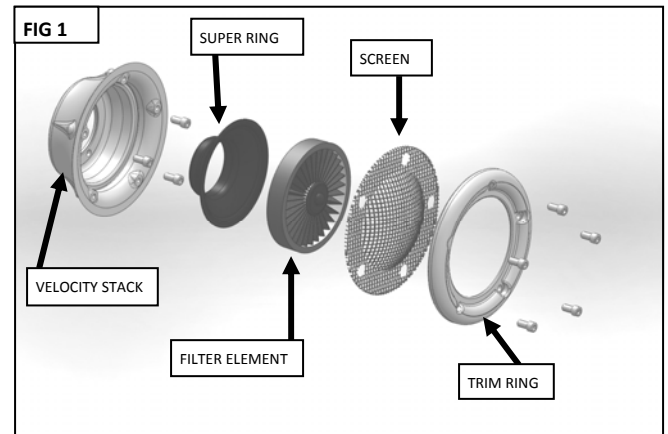


STEP 7 Refer to **FIG 1**. Completely disassemble the Velociraptor Assembly. Make note as to how it is assembled, it will help for reassembly.

STEP 8 Refer to **FIG 1**. Locate the Velocity Stack.

Insert the three (3) included 1/4"-20 X 1-1/2" Socket Head Cap Screws through the Velocity Stack mounting holes. **DO NOT** place a bolt through the float bowl vent hole at the 10-o'clock position.

Align one of the included Non-Adhesive Gaskets over the screws protruding from the backside of the Velocity Stack.



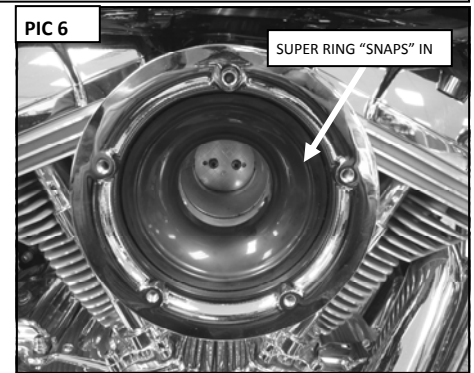
STEP 9 Align the Velocity Stack and intake flange; secure the assembly to the intake flange with the three screws. **DO NOT** over tighten the screws!.

STEP 10 Refer to **FIG 1** and **PIC 6**. Locate the included Super Ring.

"Snap" the Ring into place; ensure it is secure before continuing.

STEP 11 Locate the included Filter Element, Screen, and Trim Ring.

Place the Filter in the Velocity Stack; align the holes in the Screen with the Outer Ring; cover the Filter with the Screen and Trim Ring; secure with the five (5) 1/4"-20 x 1/2" Socket Head Cap Screws.



STEP 12 Reinstall the main fuse. Double check the tightness of all related fasteners, check for hose clearance and check throttle for correct operation, making sure it returns properly, before starting bike.

⚠ WARNING

FAILURE OF THE THROTTLE TO RETURN COULD RESULT IN LOSS OF CONTROL CAUSING SERIOUS INJURY OR DEATH.

NOTICE

It is the end user's responsibility to ensure that all fasteners (including pre-assembled) are tightened before operation of the motorcycle. Kuryakyn will not provide warranty coverage on products or components lost or damaged due to improper installation or lack of maintenance. Periodic inspection and maintenance are required on all fasteners.

Proper tuning is important. Carbureted bikes should be re-jetted and fuel injected bikes should be tuned with a TTS MasterTune tuning system (calibrations available at www.kuryakyn.com) or Vance & Hines FP3 (calibrations available at <http://fp3.vanceandhines.com/download>) by an experienced tuner, on a dyno, with an exhaust gas analyzer.

LIMITED WARRANTY

Küryakyn warrants that any Crusher products sold hereunder, shall be free of defects in materials & workmanship for a period of one (1) year from the date of purchase by the consumer excepting the following provisions:

1. Küryakyn shall have no obligation in the event the customer is unable to provide a receipt showing the date the customer purchased the product/s.
2. The product must be properly installed, maintained & operated under normal conditions.
3. Küryakyn shall not be liable for any consequential & incidental damages, including labor & paint, resulting from failure of a Küryakyn product, failure to deliver, delay in delivery, delivery in nonconforming condition, or for any breach of contract or duty between Küryakyn & a customer.
4. Crusher products are often intended for use in specific applications. Küryakyn makes no warranty if a Küryakyn product is used in applications other than intended.
5. Crusher electrical products are warranted for one (1) year from the date of purchase by the consumer. L.E.D.'s contained in components of Küryakyn products will be warranted for defects in materials & workmanship for 3 years from the date of purchase where as all other components shall be warranted for one (1) year.
6. Exhaust systems are warranted for manufacturing defects only. There is no warranty on exhaust pipes & mufflers with regard to any discoloration. Discoloration or "bluing" is caused by tuning characteristics, exhaust timing, carburetor jetting, overheating, etc. & is not caused by defective manufacturing.
7. Küryakyn makes no warranty of any kind in regard to other manufacturer's products distributed by Küryakyn. Küryakyn will pass on all warranties made by the manufacturer & where possible, will expedite the claim on behalf of the customer, but ultimately, responsibility for disposition of the warranty claim lies with the manufacturer.
8. Merchandise purchased directly from Internet auction sites or any other third party seller is considered sold as is & shall not carry a Küryakyn warranty. All warranty claims must be directed to the original seller. If unsure please contact the seller to verify they are an authorized Küryakyn retailer.

RETURN POLICY

Merchandise determined to be defective may be returned up to one year from the date of purchase. Returns must be processed through original seller. Returned merchandise for any other reason other than warranty claims must be in like new condition & subject to a 20% restocking fee. All returns are subject to inspection for determination of full or partial credit. Any returned part that shows evidence of being used or installed contrary to manufacturer's instructions, &/or subjected to improper handling, packaging or return shipping by the customer, will not be eligible for exchange, refund or warranty consideration. All returned electrical items will be inspected & tested. If electrical item is deemed functional, no credit will be issued & item will be returned. All sales are final on discontinued or closeout merchandise.

RETURN INSTRUCTIONS

Contact one of our prompt, courteous Customer Service representatives toll free at 866-295-5759. Be sure to have the following information available when you call:

- Name
- Part number/s to be returned
- Copy of original invoice
- Reason for return

1. Obtain R.M.A. number which shall remain active & valid for 60 days. (Important: Issuance of R.M.A. does not represent an authorized credit.)
2. Carefully package merchandise to avoid damage during shipment. Depending on its condition, original packaging may not be sufficient.
3. Ship only those items for which the R.M.A. has been issued.
4. Write the R.M.A. number prominently on the outside of package.
5. Ship package freight PREPAID (C.O.D.s will not be accepted) to:
Kuryakyn 454 County Road V V Somerset, WI 54025