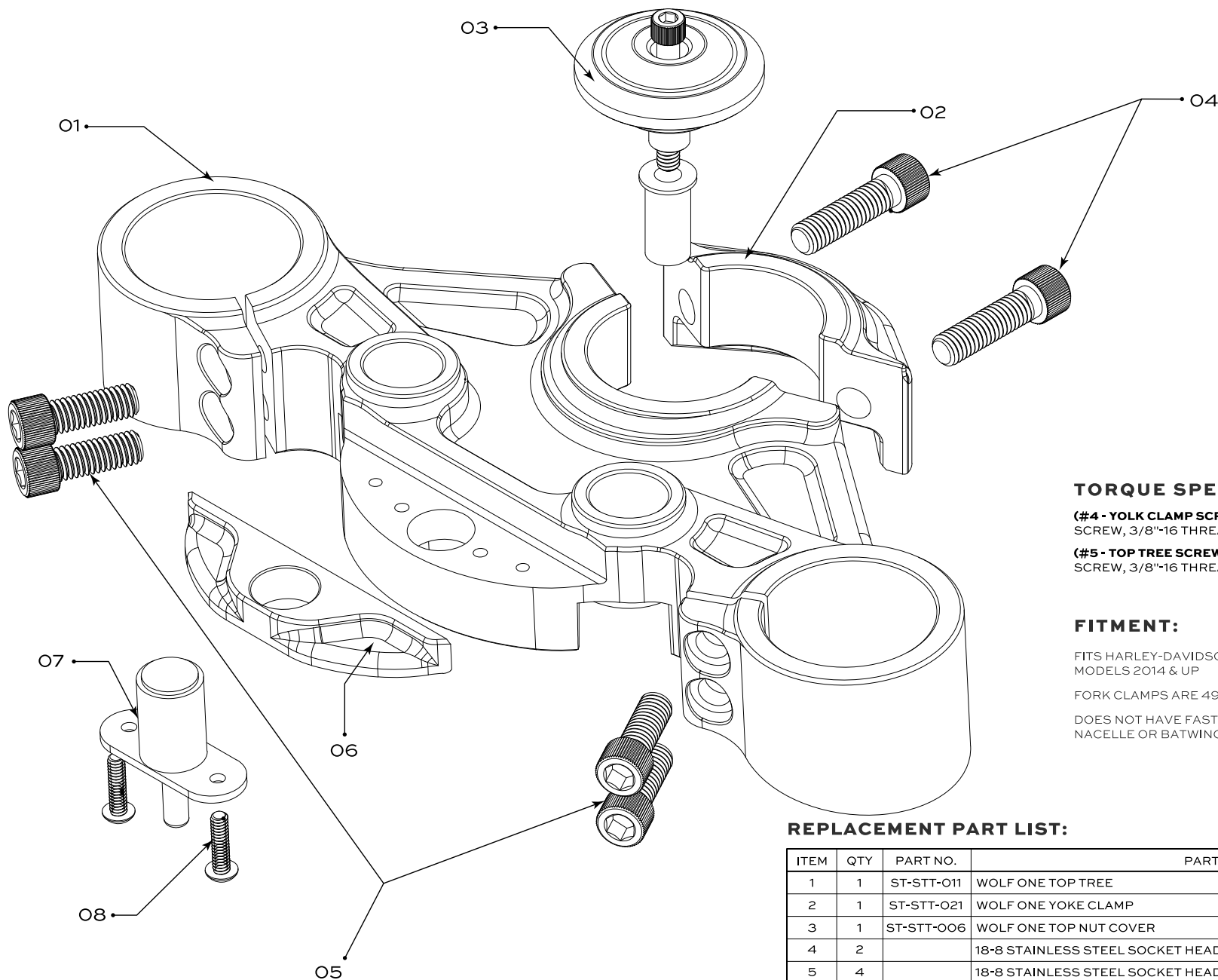


WOLF ONE BILLET BAGGER TOP CLAMP

ST-STT-24 and ST-STT-14



TORQUE SPECS:

(#4 - YOLK CLAMP SCREWS) 18-8 STAINLESS STEEL SOCKET HEAD SCREW, 3/8"-16 THREAD SIZE, 1-3/8" LONG — **28 FT. LBS.**

(#5 - TOP TREE SCREWS) 18-8 STAINLESS STEEL SOCKET HEAD SCREW, 3/8"-16 THREAD SIZE, 1" LONG — **20 FT. LBS.**

FITMENT:

FITS HARLEY-DAVIDSON ROAD GLIDE AND TOURING MODELS 2014 & UP

FORK CLAMPS ARE 49MM DIAMETER

DOES NOT HAVE FASTENER POINTS TO RUN A STOCK NACELLE OR BATWING FAIRING

REPLACEMENT PART LIST:

ITEM	QTY	PART NO.	PART
1	1	ST-STT-011	WOLF ONE TOP TREE
2	1	ST-STT-021	WOLF ONE YOKE CLAMP
3	1	ST-STT-006	WOLF ONE TOP NUT COVER
4	2		18-8 STAINLESS STEEL SOCKET HEAD SCREW, 3/8"-16 THREAD SIZE, 1-3/8" LONG
5	4		18-8 STAINLESS STEEL SOCKET HEAD SCREW, 3/8"-16 THREAD SIZE, 1" LONG
6	1	ST-STT-031	WOLF ONE LOCK COVER
7	1		PLUNGER LOCK
8	2		18-8 STAINLESS STEEL BUTTON HEAD TORX SCREWS, 10-24 THREAD, 3/4" LONG