



INSTALLATION INSTRUCTIONS

SLIP ON | SOFTAIL FAT BOB™

MINIMUM REQUIRED TOOLS:



ALLEN WRENCH
3/16, 5/32



SOCKETS AND RATCHET
15mm, #27 Torx®

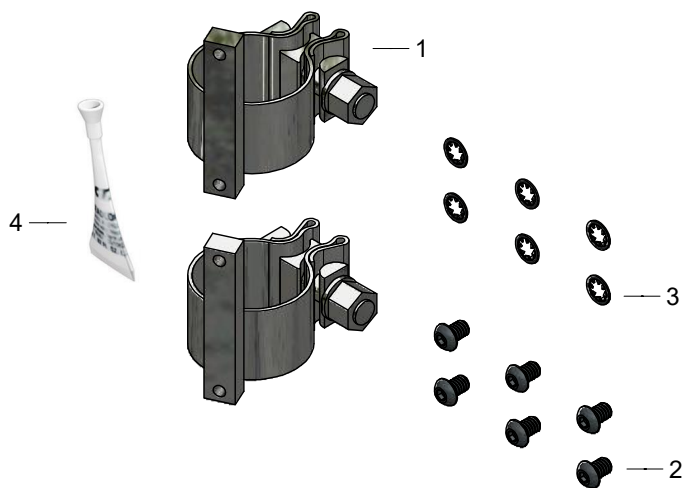


TORQUE
WRENCH



SYSTEM SHOWN IN CHROME

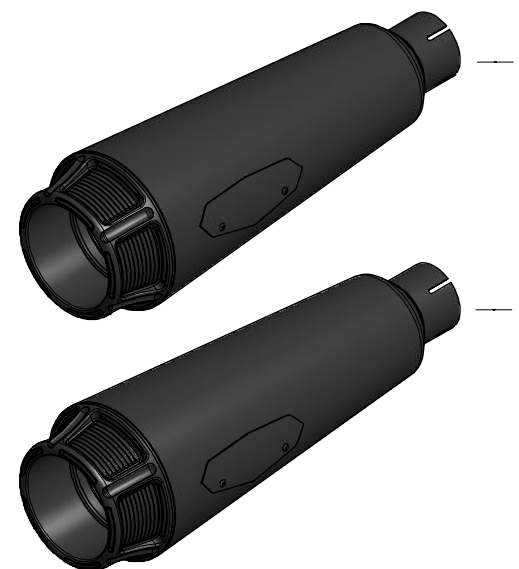
INCLUDED HARDWARE:



- 1. (2) CLAMP/BRACKET ASSY 1.75inch
- 2. (6) SCREW BHCS 1/4-20x.375 BLACK
- 3. (6) STAR WASHER 1/4 BLACK
- 4. (1) THREADLOCK

BLACK PART#7201202 #7201502

*PRODUCT MAY VARY FROM IMAGE SHOWN



- 1. (2) MUFFLER SLIP ON



IMPORTANT INFORMATION

1. Register your new product at www.magnaflow.com/motorcycle/register
2. When installing new MagnaFlow exhaust systems, be sure your hands are clean and free of oil, lotion or similar products. After installation is completed and before starting the motorcycle, thoroughly clean the new exhaust system with a clean soft cloth and cleaning solvent that leaves no residue. Debris, residue or fingerprints left on the system may cause damage to the finish. Damage or discoloration to finish is not covered by warranty.
3. MagnaFlow advises replacing worn or damaged gaskets.
4. Make sure there are no exhaust leaks at the junctions and connecting points of the exhaust pipes and/or mufflers, or at the cylinder.
5. Leaks due to improper installation may cause the engine to overheat. This may cause discoloration.

Maximize your motorcycles performance and efficiency by complementing your new MagnaFlow exhaust system with a fuel tuner management system and/or EFI remapping. Remapping is suggested to optimize performance and reduce the possibility of damage to your engine or new exhaust system.

MagnaFlow makes every effort to design exhaust systems which improve the riding experience. However, due to restraints and tolerances on some motorcycle models, ground and/or cornering clearance may not improve and in some cases may be reduced. Be sure to carefully follow all installation instructions.

Disclaimer: Some part numbers are not available in California. The California Air Resources Board (CARB) does not permit the use of aftermarket emission-related part(s) that alter the performance of OEM emission-related devices unless CARB has issued an Executive Order. Check Federal, State and local laws for compliancy.

Platforms, model names and descriptions including but not limited to Dyna®, Softail®, Sportster®, Touring®, Fat Boy®, Road Glide®, Heritage® and Harley® are registered trademarks of The Harley-Davidson Motor Company®, Milwaukee, WI, U.S.A.

CALIFORNIA EMISSIONS NOTICE

Some part numbers are not legal for sale or use in California. The California Air Resources Board (CARB) does not permit the use of aftermarket emission-related part(s) that alter the performance of OEM emission-related devices unless CARB has issued an Executive Order, other than on racing vehicles on closed courses. Check your local laws and manufacturer's information.

In California, the sale and installation of motorcycle aftermarket exhaust parts that may have the potential to impact emissions are regulated by the California Air Resources Board (CARB). The sale, installation and use of emissions related aftermarket exhaust parts on motorcycles is prohibited unless the exhaust part is either an OEM "replacement part" as defined by the state of California, or is specifically permitted for use by an Executive Order issued by CARB.

(1) Replacement Parts

Replacement Parts are aftermarket parts that are functionally identical to the stock OEM part they are intended to replace, and therefore do not adversely impact emissions when installed and in use. Replacement Parts are permitted for sale, installation and use on motorcycles used on or off the public highways in California. For motorcycles, these parts fall into two categories:

CALIFORNIA EMISSIONS NOTICE (CONT.)

* No emission control - If the motorcycle's stock exhaust system does not contain any emission control components, then an aftermarket exhaust part is a Replacement Part and no EO is required.

* Upstream emission control device. If the motorcycle's stock exhaust system contains a catalytic converter, then an aftermarket exhaust part positioned downstream from the catalytic converter (i.e. cat-back) is a Replacement Part as long as it does not remove, replace or adversely affect any emission control equipment originally attached to the stock exhaust system.

(2) Executive Order Parts

All exhaust parts that incorporate or impact any emission control device require a CARB issued Executive order allowing the parts to be advertised, sold, offered for sale and installed in California, pursuant to specific application.

For more information please visit <http://www.arb.ca.gov/msprog/aftermkt/motorcycle1/motorcycle1.htm>

WARRANTY:

MagnaFlow motorcycle exhaust products, including Arlen Ness by MagnaFlow exhaust systems, are warranted against defects in material and/or assembly workmanship only for a period of 1 year from invoice date. This warranty is void if the product is not installed properly on the vehicle for which it was designed. This warranty does not apply to any product which has been installed on any commercial or racing vehicle or which has been improperly installed, modified, altered or subjected to misuse or damage from accidents; including excessive heat. Also, cost of labor and any additional parts or components required to complete installation of a replacement product are not covered by this warranty; including coatings, paints and/or finishes, flaws or rust. MagnaFlow, including Arlen Ness by MagnaFlow, exhaust systems are designed to fit and operate on original OEM motors and chassis with no modifications of any type on the motorcycle.

Proof of purchase from an authorized retailer must accompany any warranty claim. The original product that is deemed to be under warranty may only be returned and/or exchanged for a product of the same part number. No other warranty, expressed or implied (including merchantability), applies to the products, nor is any person (including the manufacturer) authorized to assume any other warranty. Dealers and distributors are not authorized to make warranty judgments or claims regarding MagnaFlow products. The manufacturer does not assume any responsibility for any consequential damages occasioned by the product, or inconvenience or interruption in any operation, service or shipping. All approved warranty returns must be accompanied by a return authorization number. Parts returned to MagnaFlow without a return authorization and accompanying documentation may be refused. No parts will be accepted with freight due.

This warranty gives you specific legal rights. You may also have other rights which may vary from state to state. Some states do not allow the exclusion or limitation of incidental or consequential damages, so the above limitation or exclusion may not apply to you.

The warranties set forth herein are exclusive and, unless otherwise required by applicable law, no other warranties are made by MagnaFlow or are authorized to be made with respect to the product.

MAGNAFLOW 1901 Corporate Centre Dr ☎Oceanside, CA 92056 1(800) 990.0905 TECHNICAL SUPPORT 1(800) 990.0905 EMAIL MFmotorcyclesupport@magnaflow.com

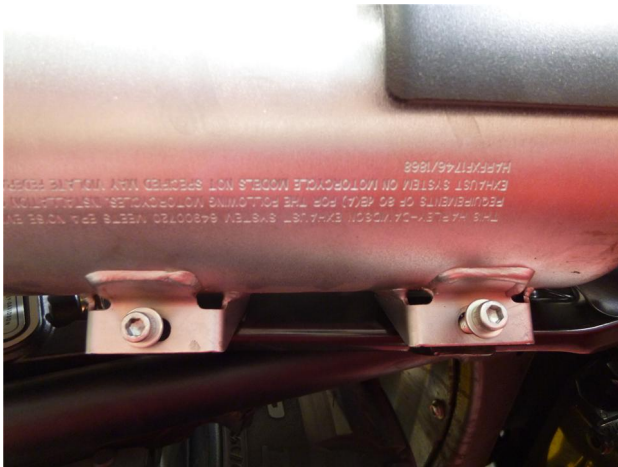


STOCK EXHAUST REMOVAL INSTRUCTIONS

1. Locate and remove the stock heat shield from the system.



2. Locate and remove the muffler bolts, then remove the muffler clamps.





INSTALLATION INSTRUCTIONS

1. Install top muffler only using stock hardware for the muffler bracket and supplied clamp. Keep hardware loose for adjustments.



2. Install stock heat shield, using supplied hardware (for optional color change) to bolt the front of the shield in place. Then adjust the muffler clamp assembly to the heat shield in its correct position. At this time, tighten only the muffler clamp to lock in shield placement.



3. Install bottom muffler with stock hardware and supplied clamp. Finish adjusting heatshield with supplied hardware (for optional color change). After adjusting, tighten all hardware and clamps.



4. Clean the mufflers to remove any oil or residue. Start the engine and check for any exhaust leaks. Re-adjust or tighten as necessary. Please reference item 2 on the Important Information page.

Note: Remapping the EFI unit is suggested to optimize performance while reducing the possibility of damage to your engine or new exhaust system