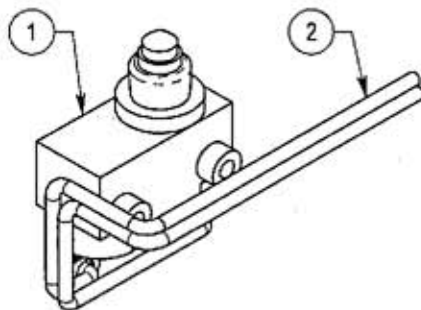
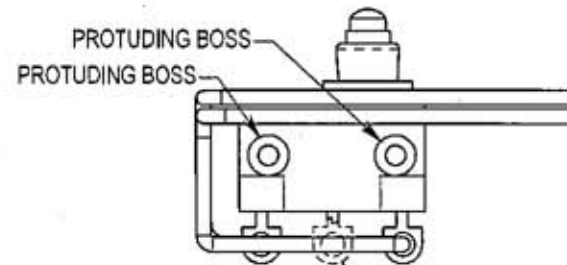
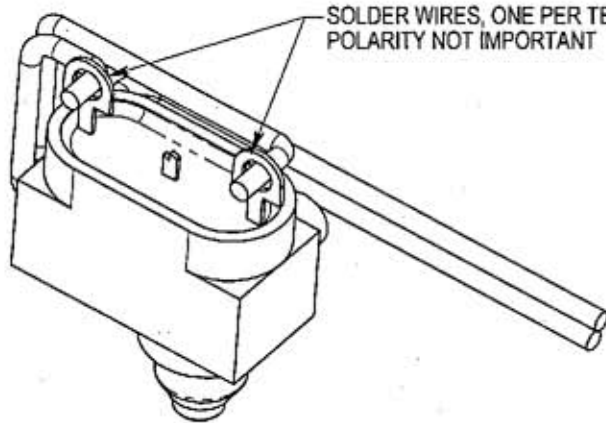


THIS DRAWING IS PROTECTED UNDER COPYRIGHT LAW AND IS THE PROPERTY OF PERFORMANCE MACHINE INC. DATA CONTAINED HEREIN IS PROPRIETARY TO PERFORMANCE MACHINE INC. THIS DRAWING AND/OR ANY PART OF THE DATA CONTAINED HEREIN MAY NOT BE COPIED, DUPLICATED OR RELEASED FOR MANUFACTURING OR SALE OF EQUIPMENT OUTSIDE OF PERFORMANCE MACHINE INC. OR AFFILIATES WITHOUT THE WRITTEN CONSENT OF PERFORMANCE MACHINE INC.

REVISIONS				
LTR	DESCRIPTION	DRAWN	DATE	APPROVED
1	E-2008-0613	RAS	06/21/13	



ITEM NO.	PART NUMBER	DESCRIPTION	QTY.
1	0042-0004	SWITCH, PM BRAKE LIGHT	1
2	0042-0005	WIRE 36 INCH. PM BRAKE LIGHT SWITCH	2

PARTS LIST

UNLESS OTHERWISE SPECIFIED	APPROVALS	DATE
1. DIMENSIONS ARE IN INCHES	DRAWN RAS	06/21/13
2. INTERPRET PER ASME Y14.5M-1994	CHECKED	
3. SURFACE TEXTURE SHALL BE R3	RESP ENG	
4. REMOVE ALL BURRS AND SHARP EDGES .015	MFG ENG	
	QUAL ENG	
XXXX = ±.0005		
XXX = ±.005		
XX = ±.01		
X/X = ±.031		
< = ±.5"		



**Performance Machine**

PM BRAKE LIGHT SWITCH  
2011-UP FXST, 2012-UP FXD

SIZE A	0042-2011	REV. 1
SCALE 3:1	SHEET 1 OF 1	

NOTES: UNLESS OTHERWISE SPECIFIED  
1. SIMILAR TO 0062-2010

0062-2812	MAKE MODEL YEAR
NEXT ASSY	USED ON
APPLICATION	