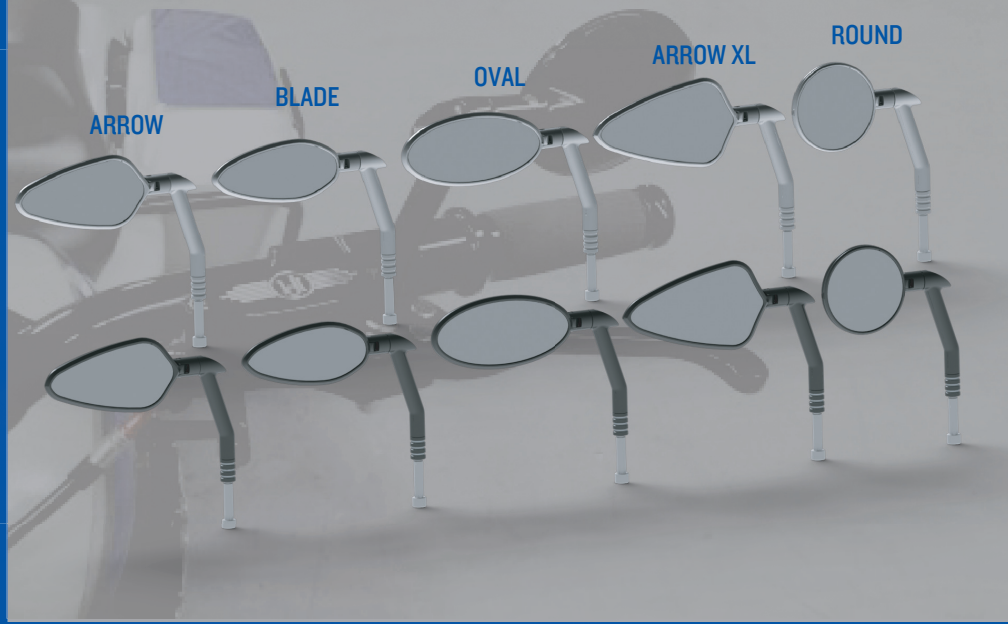




VISION SERIES MIRRORS



PERFORMANCE MACHINE LIMITED WARRANTY INFORMATION

Performance Machine warrants to the original purchaser that the parts of these Vision mirrors to be free of manufacturing defects in materials and workmanship for a period of one (1) year from the date of purchase. In the event warranty service is required, you must call Performance Machine immediately with a description of the problem.

If it is deemed necessary for Performance Machine to make an evaluation to determine whether the part is defective, a return authorization number will be given by Performance Machine. The parts must be packaged properly so as to not cause further damage and returned prepaid to Performance Machine with a copy of the original invoice of purchase and a detailed letter outlining the nature of the problem. If after the evaluation by Performance Machine the part was found to be defective it will be repaired or replaced at no cost to you. If we replace it, we may replace it with a reconditioned one of the same design.

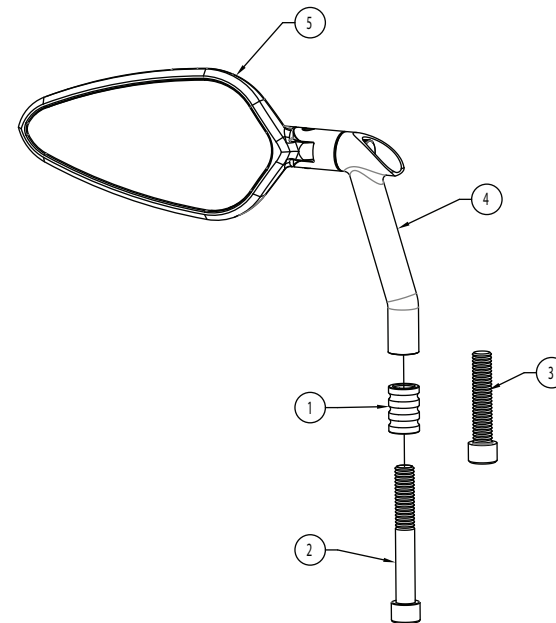
Performance Machine shall not be held liable for any consequential or incidental damages resulting from the failure of a Performance Machine part.

Performance Machine shall have no obligation if a part becomes defective as a result of improper installation or abuse.

PM VISION MIRROR INSTALLATION

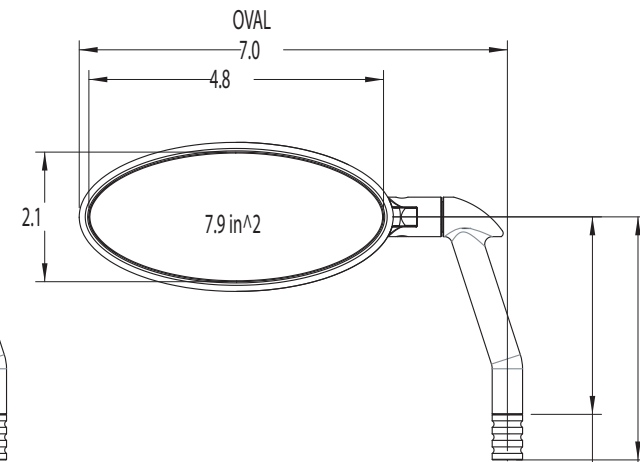
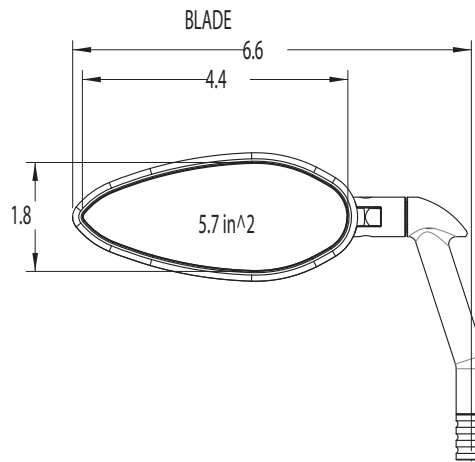
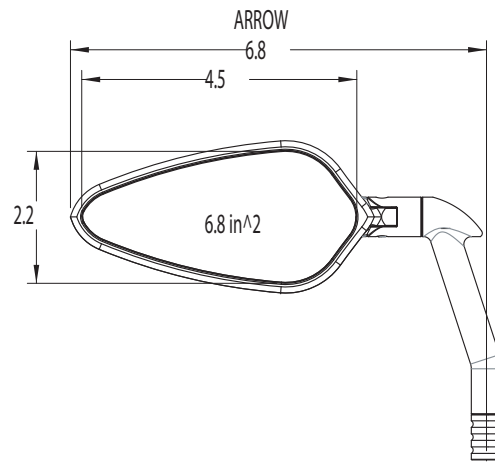
1. Remove the factory mirrors from the hand controls.
Models may vary so consult the factory service manual for specific instructions.
 2. Install the PM Vision mirror using the supplied stem spacer (1) and 5/16-18 x 2.25" socket head bolt (2). If reduced height is desired do not install the stem spacer and use the 5/16-18x1.5" socket head bolt (3). Leave the bolt loose until correct position is achieved. Use blue loctite on the bolt threads.
- Note:** PM Vision mirrors are universal and can be used for left or right applications. To convert the Vision mirror to left or right application simply rotate the mirror head (5) 180 degrees.
3. While sitting on the bike position the mirror to give the best range of view and snug the bolt using a 1/4" hex wrench. Torque the socket head bolt to 10 ft-lbs.
 4. Go for a ride!

FIG A: COMPONENTS





PM VISION SERIES & TORQUE MIRRORS



3.3 ALL VISION MIRRORS
W/O SPACER

4.0 ALL VISION MIRRORS
WITH SPACER

