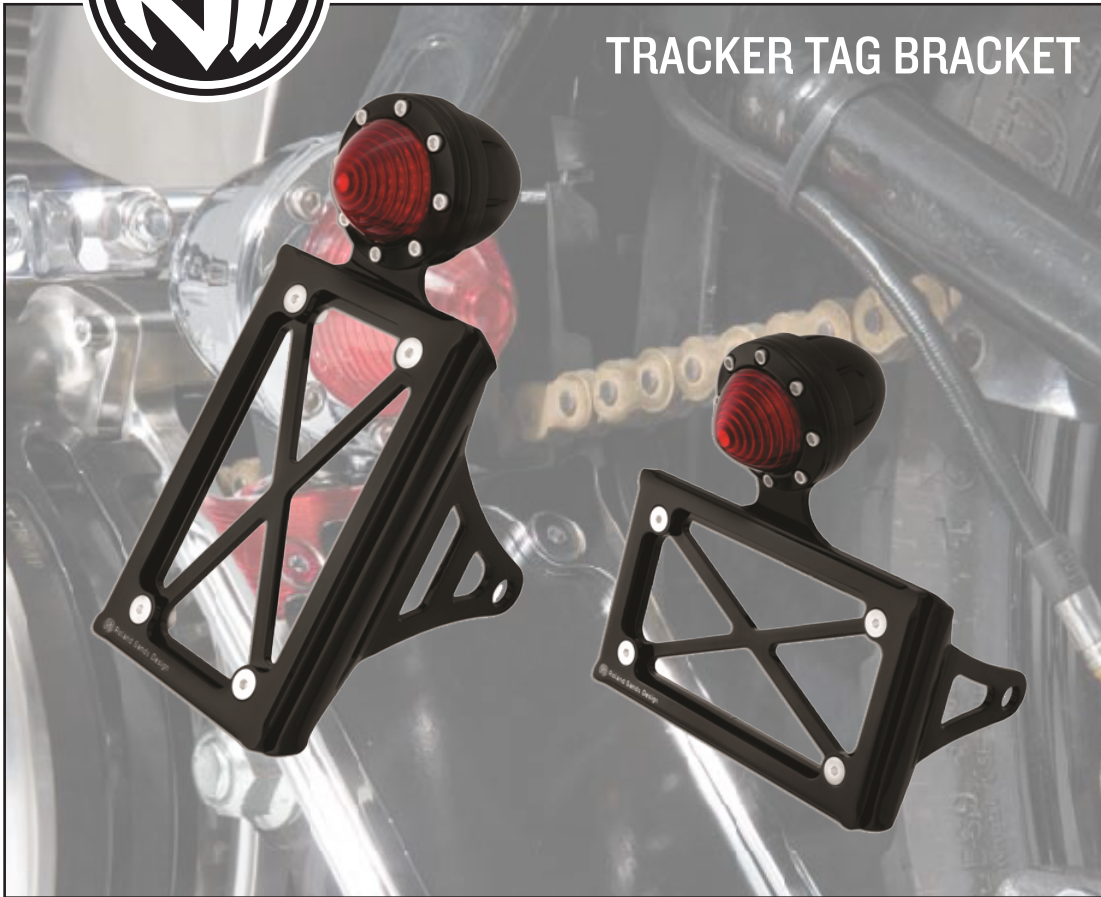




ROLAND SANDS DESIGN

ASSEMBLY INSTRUCTIONS

TRACKER TAG BRACKET



1. Place the motorcycle securely on a lift or stand and disconnect the battery.
2. Remove the lock nut on the lower left shock mount bolt using a T50 torx driver and a 3/4" wrench. With the bolt still installed install the RSD tag bracket (10) onto the bolt on the inside of the swingarm using the factory lock nut as shown in Fig A.



3. Position the tag bracket so the taillight is perpendicular to the ground and tighten the locknut to 45 ft-lbs.
4. Remove the license plate frame (5) and reinstall with your license plate using the supplied 1/4-20 flat head screws (3) and 1/4-20 Nylock nuts (4). Using a 5/32" allen and 7/16" socket torque to 10 ft-lb. Do not overtighten!
5. Locate taillight/turn signal wiring harness connector. Using the stock connector, clip the wires and leave approximately 2"-3" of wire for soldering to the new taillight. (FIG. B)

NOTE: See below for wire specs based on model year.

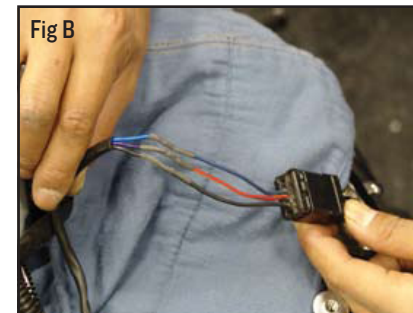
6. Trim the RSD wire harness to the appropriate length and connect to the corresponding wire on the stock harness plug.

Note: To avoid failure route and zip tie wires away from the tire, pinch points, or any heat source.

EARLY MODEL SOFTAILS			LATE MODEL SOFTAILS		
OEM COLOR	RSD COLOR	FUNCTION	OEM COLOR	RSD COLOR	FUNCTION
RED ---->	PURPLE	(STOP LIGHT)	RED / YELLOW ---->	PURPLE	(STOP LIGHT)
GREEN ---->	BLUE	(RUNNING LIGHT)	BLUE ---->	BLUE	(RUNNING LIGHT)
NONE ---->	BLACK	(GROUND TO FRAME)	BLACK ---->	BLACK	(GROUND)

PRODUCT DESCRIPTION	P/N
Horizontal Shock Mount Tag Bracket 86-up XL Sportster	0215-2007
Vertical Shock Mount Tag Bracket 86-up XL Sportster	0215-2008

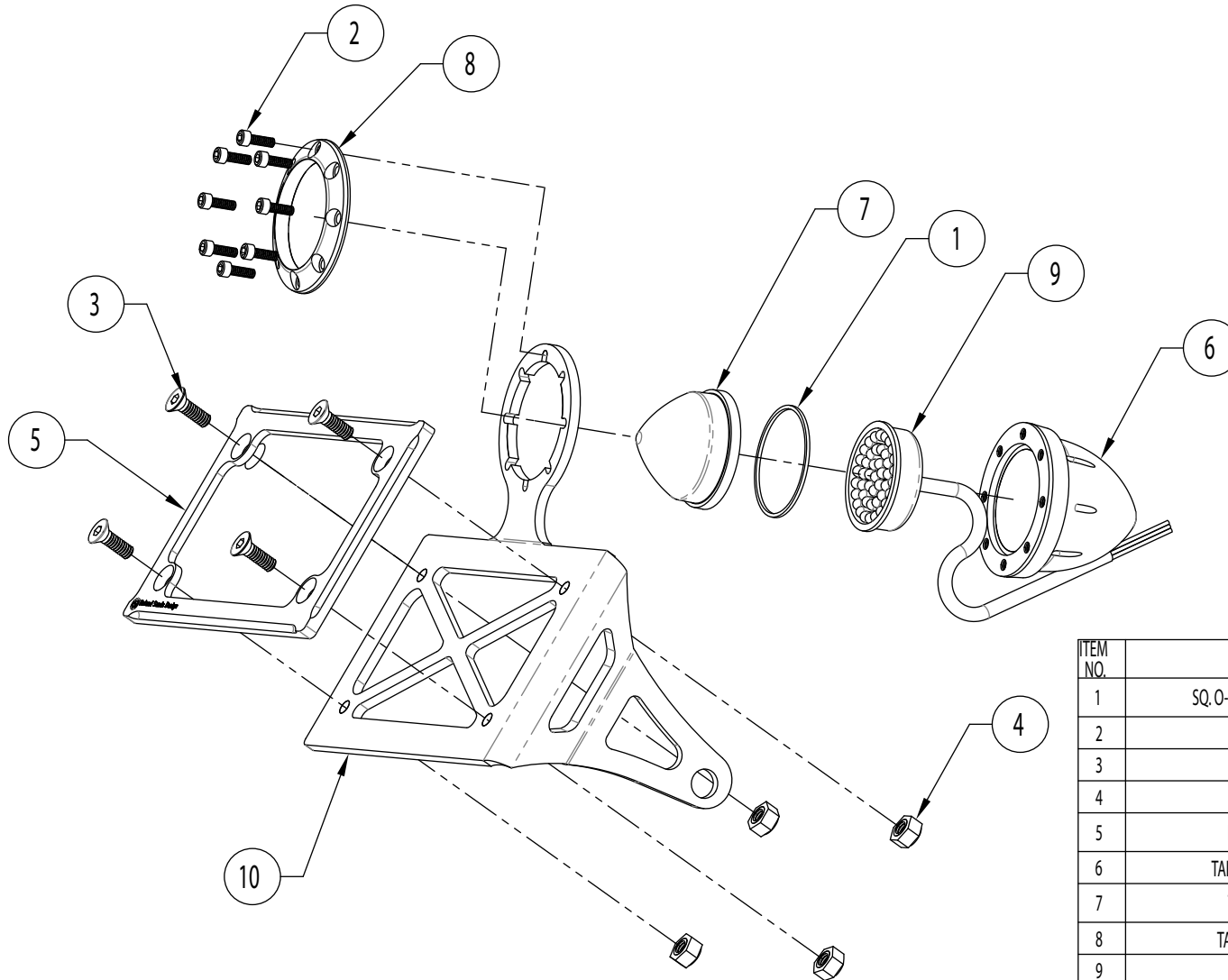
Note: The RSD shock mount tag brackets may fit many stock and custom applications.



7. Once wiring is complete reconnect battery. Check running light and brake light function.
8. Let it rip!



Tracker Tag Bracket



ITEM NO.	DESCRIPTION	QTY.
1	SQ. O-RING 2" X 1-7/8 X 1/16, BUNA-N, SHORE 70, BLACK	1
2	SHCS 8-32 X 1/2 X SS	8
3	FHCS 1/4-20 X 3/4 CHROME	4
4	NUT 1/4-20 ELASTIC LOCK, CHROME	4
5	RSD VERTICAL LICENSE PLATE, TAG BRACKET	1
6	TAIL LIGHT HOUSING, RSD TRACKER TAG BRACKET	1
7	TAIL LIGHT LENS, RSD TRACKER TAG BRKT	1
8	TAIL LIGHT BEZEL, RSD TRACKER TAG BRACKET	1
9	DUAL CIRCUIT LED LIGHT	1
10	RSD HORIZONTAL TAG BRACKET, SHOCK MOUNT BRACKET	1