

SADDLEMEN®

WWW.SADDLEMEN.COM

USER GUIDE & INSTALLATION INSTRUCTIONS

ITEM	PART NUMBER	ITEM	PART NUMBER
BR1800	3515-0113	BR3400	3515-0107
BR1800EX (w/buckles)	3515-0118	BR3400EX (w/buckles)	3515-0120
BR1800EXS (w/buckles & studs)	3515-0119	BR3400EXS (w/buckles & studs)	3515-0121
BR1800 Tactical (w/Molle)	3515-0207	BR3400 Tactical (w/Molle)	3515-0202
BR1800D	3515-0218	BR3400D	3515-0219
BR4200	3515-0191		

OVERVIEW:



The BR1800, BR3400 and BR4200 series of sissy bar bags all mount the same way to your motorcycle, with a sissy bar mount and/or included back seat mounting harness. Features may vary between each model. BR1800 bags offer 1800 cubic inches of cargo space; BR3400 bags offer 3400 cubic inches. The BR4200 has 4200 cubic inches of capacity, and includes smooth rolling wheels and a retractable handle.

CONTENTS / PARTS INCLUDED:

Qty	Item	Qty	Item	Qty	Item
1	Bag	2	Pull Down Straps	1	Backrest Pad
1	Seat Mounting Harness (right)	1	Backpack Strap	4	Mounting Harness Straps
1	Seat Mounting Harness (left)	1	Instruction Sheet		

IMPORTANT:

Please read these instructions completely before starting installation. All "NOTE," "CAUTION" and "WARNING" notations are serious safety issues and should be read carefully. Possible injury to riders or damage to the motorcycle and/or accessory may result if improperly installed.

NOTICE TO DEALERS:

These instructions contain important information for future reference and should be given to the customer.

⚠ WARNING:

READ THESE INSTRUCTIONS THOROUGHLY BEFORE INSTALLATION!

Because of the variety of motorcycle configurations, other accessories, and the features and intended use of this Saddlemen accessory luggage, there can be many different mounting options. You are responsible for the proper installation of this accessory on your motorcycle. Your attention to these installation instructions and recommendations will permit safe and proper use of this accessory. You must mount this accessory properly and securely before riding your motorcycle. If you lack the ability to safely and properly install this accessory, seek out a qualified motorcycle technician for assistance. During installation, support the motorcycle with a suitable stand or lift so it will not tip over and injure you, or damage the vehicle. Using or mounting this accessory improperly could result in a loss of control of the motorcycle which could result in damage to your motorcycle or other personal property, the property of third parties, and/or personal injury to yourself or others, up to and including death.

BE SURE TO THOROUGHLY READ AND CLOSELY FOLLOW THE MOUNTING INSTRUCTIONS THAT ARE INCLUDED WITH THIS ACCESSORY BAG

- The bag must be installed and securely fastened onto the seat or the luggage rack of the motorcycle.
- Install the bag securely so it will not shift or move while riding. Make sure the mounting straps or the bag will not contact the wheels, suspension or any other moving parts of the motorcycle.

IS 11-400061 BR1800/3400/4200 (Rev 3 03-2023)

 SADDLEMEN®

17801 SOUTH SUSANA ROAD, RANCHO DOMINGUEZ, CA 90221

PH: 310.638.1222

⚠ WARNING:

- Thoroughly inspect your motorcycle luggage before every ride. Do not use this bag if the mounting system has been modified, has deteriorated, loosened or is beginning to fail.
- Before riding, secure your cargo inside the bag and completely close any lid or flap.
- Continually check the security of the bag at each stop as you ride. Straps can loosen during operation, so be sure to check them frequently.
- Do not use this accessory if you have any doubts as to whether it is properly mounted to your motorcycle.
- Do not exceed 20 pounds of total weight of the bag and its contents.
- Do not transport or store flammable or potentially explosive materials in your bag.
- When using this accessory, do not exceed your vehicle's Maximum Gross Vehicle Weight as listed on your motorcycle or in the manufacturer's owner's manual. Do not exceed the cargo capacity of each bag as listed on its attached warning label.
- If your bag is ever damaged, do not use it until it has been inspected by your local professional motorcycle dealer. Replace the bag immediately if it has sustained damage that will prevent it from being properly secured to your motorcycle or being able to securely hold its contents.

DO NOT ATTEMPT TO USE THIS ACCESSORY BAG IF:

- You do not understand these installation and use instructions;
- You do not understand any part of the accessory mounting system;
- You have any doubts as to the security of the mounting system.

If you do not understand these mounting instructions DO NOT mount the accessory, and remove any related items you may have installed on your vehicle. Contact your local professional motorcycle dealer for assistance, or call the Saddlemen support line at (310) 638-1222.

Remember: Motorcycling can be a dangerous activity. Installation of any accessory can increase your risk if it is not installed properly. You are responsible to install this accessory so it will not contact any portion of the drive train, suspension or steering, and so that it will in no way interfere with the operation of your motorcycle.

INSTALLATION:

Your Saddlemen Backrest, Seat & Sissybar Bag has been designed to be mounted on a variety of motorcycles using the included mounting system options: a sissy bar mounting strap system, or a seat harness to attach the bag to a sissy bar, rear rack, or seat. You (or your professional motorcycle technician) will need to determine the best mounting configuration for your motorcycle or scooter.

SISSY BAR MOUNTING STRAP & SECURITY STRAPS

Your bag has an adjustable rod mounting strap system which creates a sleeve (1) that will allow you to slip the bag over your motorcycle's sissy bar. In most applications, the bag is commonly mounted behind the sissy bar where it can rest on a rear rack.

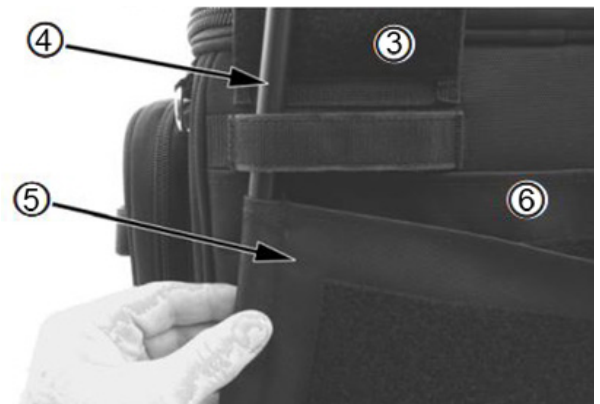
IMPORTANT

Attaching the supplied security straps (2) to solid mounting points is essential in order for the bag to stay attached to the motorcycle during rough riding conditions.

The default size of the inner mounting strap matches the width of most Harley-Davidson® sissy bars equipped with a back rest pad. For these types of sissy bars, lift the retention flaps (3), pull out the two plastic mounting rods (4), remove the outer mounting strap cover (5), and expose and use just the inner mounting strap (6).

NOTE

To adjust the inner mounting strap size and shape to other sissy bars, see the steps on the next page of these instructions.



IS 11-400061 BR1800/3400/4200 (Rev 3 03-2023)

INSTALLATION *(continued)*

For your, or your passenger's riding comfort, a back rest pad is supplied with your bag that can attach to the hook & loop fastener strip on the mounting trap. To attach the pad (7), press it into place on the strap.



The bag (8) can also be mounted over the front of the sissy bar to rest on the passenger seat. Some riders choose this configuration so they can use the bag as a back rest.

NOTE

When mounting the bag in front of a sissybar, consider using the seat harness mounting method with the bag mounted backwards on the passenger seat so the rider can use the supplied backrest pad.

IMPORTANT

Regardless of how you orient the bag, attaching the supplied security straps (9) to solid mounting points on the chassis is essential for the bag to stay securely attached to the motorcycle during rough riding conditions. After installing the bag, cut off or secure any excess security strap material so it will not interfere with the motorcycle's controls, suspension, wheels or other components.

Do not mount the bag behind the sissy bar unless the motorcycle has a rear rack, as the bag could damage the rear fender and/or interfere with the motorcycle's lights, suspension, wheels or other components.



SISSY BAR MOUNTING STRAP ADJUSTMENT

Your bag has an adjustable rod mounting strap system which creates a sleeve that allows you to slip the bag over your motorcycle's sissy bar. The bag has upper (1) and lower loops (2) to hold the rods (3) so you can adjust how the mounting strap (4) will fit onto your motorcycle's sissy bar and pad.

IMPORTANT

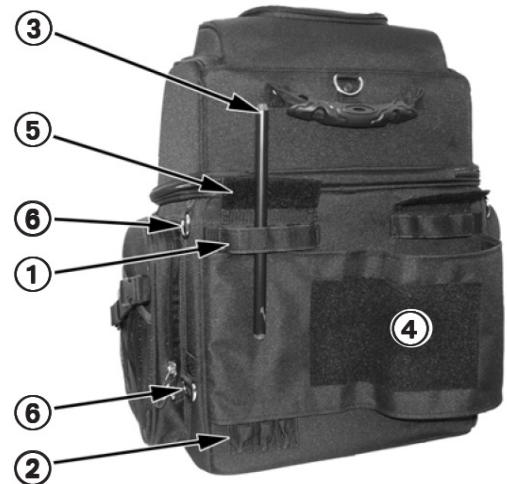
Make sure the rods (3) are inserted into both the upper (1) and lower (2) loops on the bag when you are adjusting the size of the mounting strap. After putting a rod into both the upper and lower loops and the mounting strap loop, make sure the rod flap (5) is pressed down, to full engage the hook & loop fasteners. The security straps attach to the upper or lower D-rings (6) located on each corner of the bag.

NOTE

The BR3400 Tactical bag (not shown) is equipped with a large hook-n-loop strap that works as a yoke which is supported by the sissy bar pad. To adjust, undo the large hook-n-loop strap on the back of the bag, raise the bag to your desired height, and measure the distance. Remove the bag and adjust the hook-n-loop strap, sliding it through and stopping at the measured height before reattaching the hook-n-loop. Place the bag back over your bike's backrest, where it should rest at the height you've selected. Locate the safety strap, buckle it in and tie it down. For more details, watch the Installation Video: <https://www.youtube.com/watch?v=LIGZFc2k59Y>

VERY WIDE SISSY BAR MOUNTING SUGGESTION

To set the mounting strap for the widest sissybar, lift the retention flaps (5), pull out the two plastic mounting rods (3), and remove the outer mounting strap cover to expose and use just the inner mounting strap (4).



IS 11-400061 BR1800/3400/4200 (Rev 3 03-2023)

INSTALLATION *(continued)*

WIDE SISSY BAR MOUNTING SUGGESTION

Set the rods through the outer loops (1) and (2) on the back of the pack and the mounting strap (4) to create a sleeve that snugly fits around a wide sissy bar and pad.



NARROW SISSY BAR MOUNTING SUGGESTION

Set the rods through the inner loops (1) and (2) on the back of the bag and the mounting strap (4) to create a sleeve that snugly fits around a narrow sissy bar and pad.



TAPERED SISSY BAR MOUNTING SUGGESTION

To set the shape of the mounting strap sleeve to fit a tapered or an angled sissy bar, set the rods through the inner loops (1) and the outer loops (2) on the back of the bag and the mounting strap (4) to create a triangular sleeve that matches your sissy bar and pad.



OUTER MOUNTING STRAP PROTECTIVE COVER

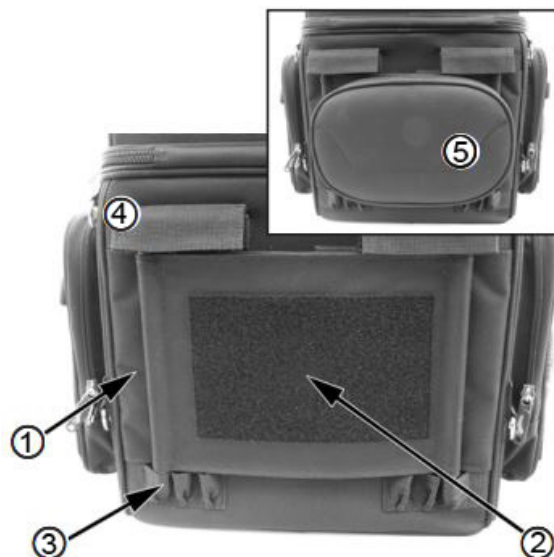
If you are not using the mounting strap to create a sleeve to attach your bag to a sissybar, cover and protect the inner mounting strap (1) with the outer protective strap (2). Route the adjustment rods through the outer protective cover and into the outer adjustment loops (3) on the back of the bag.

IMPORTANT

Make sure the rods are properly inserted into both the upper and lower loops (3) on the bag when you installing the outer mounting strap protective cover. After installing the rods and strap, make sure the rod flap (4) is pressed down, securing its hook & loop fasteners.

NOTE

Make sure to have the hoop & loop fastener side of the protective cover facing outwards if you plan to use the supplied back rest pad (5).



INSTALLATION *(continued)*

SEAT MOUNTING HARNESS & SECURITY STRAPS

This Saddlemen Backrest, Seat & Sissybar Bag is supplied with an under seat mounting harness and strap system that enables you to securely mount your bag to your motorcycle. This system will hold your bag in place better than using straps or elastic cords alone.

Remove the seat from your motorcycle. Set the left side (6) of the mounting harness with the right side (7) of the harness on the top of the rear fender.

NOTE

The "UP" side of the harness halves are connected with a D-ring and adjustment strap (8). Keep this side up, towards the seat bottom, to prevent damaging the finish on the fender.

Adjust the width of the connected harness halves using the adjusting strap (8) and the hook and loop fasteners on each mounting harness. Set the width of the harness so the four D-rings (9) will protrude just past the edge of the seat (after it is reinstalled).

Reinstall the seat.

Connect the snap-hook ends 9 of the security straps to the D-rings (10). The other end of the four security straps are also equipped with metal snap-hooks that will connect to D-rings on the bag.

NOTE

To protect your vehicle's surface, position the security straps so the snap-hooks with the protective backing connect to the mounting pad's D-ring, not the bag's.

Set the bag onto the seat and connect the snap-hook (11) of the security straps to the D-rings on each corner of the bag. Cinch the straps to tighten the bag to the seat. Secure any loose or extra strap material.

NOTE

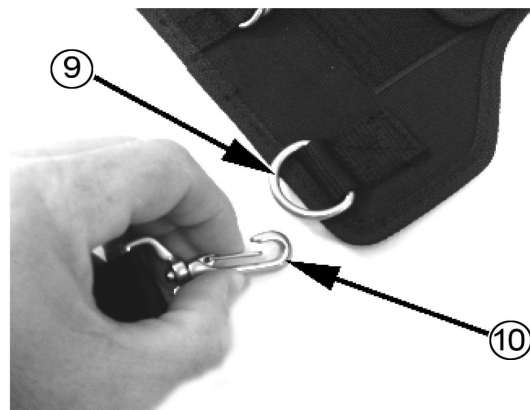
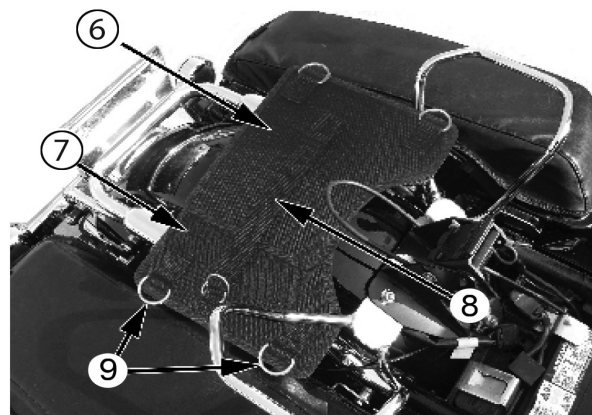
Connecting the straps to the four upper D-rings (11) on the bag will aid in the stability of the bag on the seat.

IMPORTANT

Do not overtighten the mounting straps. Over cinching the straps can damage the D-ring mounts and damage the fabric walls of your bag. Damage of this type is not a defect and repair or replacement will not be covered by the Saddlemen Limited Warranty.

Make sure the bag does not block or touch the vehicle's tail light, turn signals, fender, suspension, wheels, or other components. Do not mount the bag near hot surfaces, such as the motorcycle's exhaust. Cut off or secure any excess security strap material so it will not interfere with the motorcycle's controls, suspension, wheels or other components.

When removing the bag, disconnect the bottom snap-hooks so that the straps are removed with the bag. Do not operate the motorcycle if the straps are still in place after removing the bag, as the straps could interfere with the safe operation of the vehicle.



IS 11-400061 BR1800/3400/4200 (Rev 3 03-2023)

INSTALLATION *(continued)*

STORAGE COMPARTMENTS & POCKETS

Your Saddlemen Backrest, Seat & Sissybar Bag has several internal and external storage compartments that enable you to carry all of your cargo in a safe and organized fashion.

- (1) Rain cover storage compartment (3515-0202 on back of bag)
- (2) Upper storage pocket (zipper access)
- (3) Upper, outer elastic mesh pocket
- (4) Upper storage compartment flap (release buckles 5 and unzip to access)
- (5) Two upper storage compartment flap retention buckles
- (6) Main storage compartment (unzip to access)
- (7) Two side storage pockets (expandable, unzip to access)
- (8) Two side outer elastic mesh pockets (with retention straps)
- (9) Organizer pocket (unzip to access)

Not visible:

- Inner, padded helmet storage in main compartment
- Inner, padded laptop storage sleeve in main compartment
- Inner, zipped mesh storage pocket in main compartment
- Inner, mesh storage sleeves inside of side storage pockets
- Upper side pockets on 3515-0202



RAIN COVER

Use the supplied rain cover to help protect the bag during inclement weather. The cover (1) is stored in the top compartment of the bag. Unzip the compartment (2) and remove the cover.



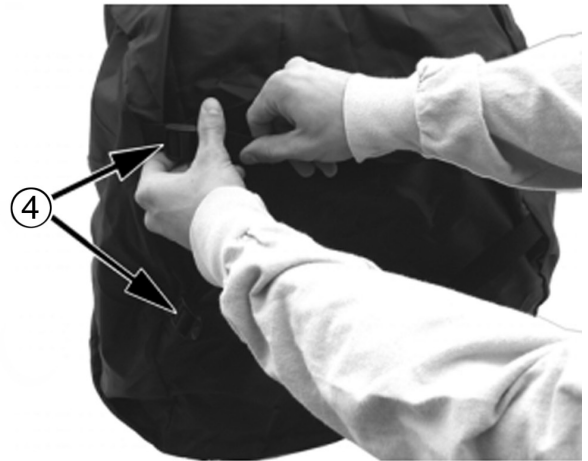
On the inside, top of the rain cover is a tether strap. This strap is required to help secure the cover to the bag when riding.

Invert the cover (the outside of the cover has two straps to cinch it to the bag) and loop the tether strap into the buckle (3) in the cover's storage compartment.



INSTALLATION *(continued)*

After you have attached the tether strap, slide the cover over the bag. The cover has two cinch straps (4) that will tighten the cover so it fits snugly to the sides of the bag to prevent the rain cover from flapping under most riding conditions. The cinch straps can also be used as security straps, depending upon your mounting configuration.



To seal the base of the rain cover, cinch the cord (5) at the base of the cover. You can attach the two rain cover cinch straps (4) to a solid item (such as a grab rail) on the motorcycle to prevent the cover from billowing or coming off of the bag as you ride.

IMPORTANT

Cut off or secure any excess rain cover cinch/security strap or cord material so it will not get drawn into, or interfere with the motorcycle's controls, suspension, wheels or other components.



UPPER & SIDE EXTERNAL STORAGE POCKETS

Your Saddlemen Backrest, Seat & Sissybar Bag has five external storage pockets and three external, elastic mesh pockets to provide you quick access to some of your belongings.

Access the upper storage pocket (1) by unzipping (2) the flap.

There is a mesh pocket (3) on the upper storage pocket flap.



The two expandable side pockets are accessed by opening one of the two sets of zippers on each pocket.

The outer zipper (4) opens and closes the side pocket to its standard size.



IS 11-400061 BR1800/3400/4200 (Rev 3 03-2023)

INSTALLATION *(continued)*

The inner zipper (5) opens and closes the side pocket to its expanded size.

NOTE

You only need to use one of the two zippers to close the side storage pocket.

There is an elastic storage sleeve (6) on the inside of each side storage pocket.

There is an elastic mesh pocket (7) on the outside of the two side storage pockets. Each mesh pocket has an additional security strap and buckle (8) so you can cinch down the objects you place in the pocket.

IMPORTANT

Items you place in the mesh pockets will not be protected from the elements and are visible to others. Cut off or secure any excess security strap material so it will not get drawn into, or interfere with the motorcycle's controls, suspension, wheels or other components.

EXTERNAL STORAGE & ORGANIZER POCKET

Your bag has an external organizer storage pocket with special holders to separate and secure items such as a cellular telephone, writing implements, cards and maps.

Access the organizer storage pocket (1) by unzipping the flap.

NOTE

A tiny padlock (sold separately) can be used to lock zipper fob together to prevent access to the organizer storage pocket or other compartments.

The inside of the organizer has storage pockets that can hold items such as your phone, garage door opener, etc., plus sleeves that can secure pens or pencils.

NOTE

There is a elastic storage sleeve (4) on the inside of each side storage pocket.

Also included in the organizer is a clip (5) to hold a set of keys.



IS 11-400061 BR1800/3400/4200 (Rev 3 03-2023)

INSTALLATION *(continued)*

UPPER STORAGE COMPARTMENT

The bag has a padded, upper storage compartment that is secured by a zippered flap and a cover that is secured by two quick-release buckles on adjustable straps.

Access the upper storage compartment by releasing the two quick release buckles (6), lifting the lid back and unzipping the flap (7) (hidden).



Lift the flap (8) back to expose the upper storage compartment (9).



SECURING APPAREL UNDER THE UPPER STORAGE COMPARTMENT LID

You can use the upper storage compartment lid to hold a jacket or another piece of apparel (like a wet rain suit that you to store separate from your other things).

Disconnect the two quick release buckles (1).

Slide back the elastic retainer band from the surplus strap material and adjust the length of the strap that is looped through the male end of the buckle.

Adjust the length of the straps so when you close the lid and reconnect the buckles, your gear (4) is held securely under the upper compartment lid (5).



IS 11-400061 BR1800/3400/4200 (Rev 3 03-2023)

INSTALLATION *(continued)*

MAIN STORAGE COMPARTMENT

The main storage compartment is padded to protect the cargo placed inside. The compartment can hold a full-face type helmet and has an additional padded laptop computer sleeve.

To access the main storage compartment, unzip the main zipper (6) that goes around the center of the bag. Once the zipper is completely open, the top half of the bag (7) will swing open.

The top section of the bag will be open at a 90-degree angle limited by side panels (8) that connect the upper and lower section of the bag.

There is an elastic mesh pocket (9) secured by a zipper in the bottom of the upper section of the bag.

When placing a helmet inside of the main compartment, set it with the base of the helmet at the bottom of the compartment.

NOTE:

If you are going to have other objects in the main compartment with your helmet, place your helmet in a bag to protect its finish.

When placing a laptop computer (2) in the protective sleeve (3), lower it into place gently. Secure the laptop into the sleeve with the retention strap that connects to the sleeve with a hook and loop fastener strip. See item (6), next page.

To open the upper section of the bag's main compartment beyond the standard 90-degree angle, disconnect the side panels (4) by separating the hook & loop fastener strips that connect the panels to the lower section of the bag.



IS 11-400061 BR1800/3400/4200 (Rev 3 03-2023)

INSTALLATION *(continued)*

With the upper section of the bag (5) open to a full 180-degrees, it can be used as a temporary table.

NOTE

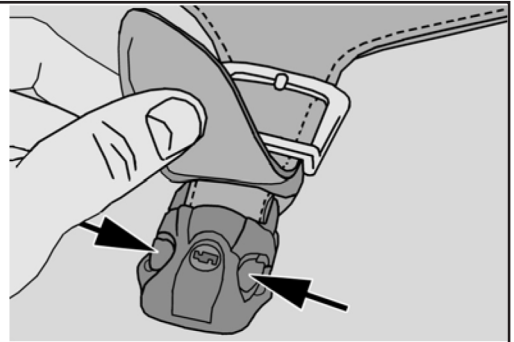
The laptop retention strap (6).



LOCKING, QUICK-RELEASE BUCKLES

Certain versions of the BR-series tail bags, but not all versions, are equipped with quick release clasps under the conventional metal buckles and straps. The quick release clasps can also be locked for additional security (use the supplied key to lock and unlock the quick release clasp).

To release the clasps, use your index finger and thumb to press inward on the sides of the male tab. The clasp must be unlocked to allow the male tab to slide out of the female portion of the clasp.



TAKING YOUR BAG WITH YOU AFTER YOU STOP

Your Saddlemen Backrest, Seat & Sissybar Bag is equipped with a rugged carrying handle and includes a strap you can attach to carry the bag over your shoulder or as a backpack.

- (1) Upper backpack strap D-ring
- (2) Carry handle
- (3) Upper and lower bag D-rings



To use the backpack strap, begin by connecting the metal hasp in the center of the strap (4) to the upper backpack strap D-ring (1).



IS 11-400061 BR1800/3400/4200 (Rev 3 03-2023)

INSTALLATION *(continued)*

Complete connecting the backpack strap using the metal hasps at the ends of the strap (5) to the upper or lower bag D-rings (3).

NOTE:

Use the adjustment buckles on the backpack strap (6) to find the length of the strap to the length that will be the most comfortable for when you carry your bag.

You can create other carrying configurations by connecting the backpack strap to any of the bag's D-rings.



CARE OF YOUR SADDLEMEN BAG

Your Saddlemen bag requires almost no maintenance other than periodic cleaning with mild soap and water and the application of a UV inhibitor to prevent color fading caused by UVA and UVB sun exposure. We recommend Ray Bloc Fabric Protector or similar which can be purchased online or at your local home improvement store.



CAUTION:

Failure to install this accessory properly may allow portions of the bag or its mounting materials to contact the vehicle's moving parts. It is vital that you verify that the accessory and/or any of its parts will not touch, or interfere with other components while the suspension moves through its entire stroke. Make sure that your accessory bag and mounting system do not touch the exhaust or other non-moving components, as well, as they may be damaged from contact with the accessory bag.

Occasionally, the configuration of this accessory with certain motorcycles may require relocation and/or adjustment of certain components on the vehicle. Check to be sure that all lights and safety reflectors are visible once the bag is in place. If the bag blocks any side reflectors, place reflectors on the exterior sides of the bag (reflectors with self-adhesive backing are available from motorcycle or automobile supply stores). It is your responsibility to make sure the installation does not create an unsafe or illegal situation.

After 50 miles (80 kilometers), recheck all of the mounting straps and the bag to make sure they are still tight and secure. Inspect the bag and related hardware before and during each ride. A loose bag or hardware can interfere with the vehicle's operation and cause an unsafe riding condition.

LIMITED WARRANTY POLICY

SADDLEMEN LIMITED ONE-YEAR WARRANTY Saddlemen warrants its products for defects in materials, design or workmanship for a period of one year after retail purchase. Items that are defective will be repaired or replaced by Saddlemen at its sole discretion. Damage caused by improper use or improper installation is not a defect; therefore repair, replacement or shipping of a damaged accessory will not be covered under this warranty. This limited warranty contains other provisions and conditions, so please refer to the Warranty Policy that was provided with your Saddlemen accessory, or visit www.saddlemen.com for additional information. You can count on Saddlemen's quality, innovation, service and style. If for any reason you are not satisfied with the performance of your Saddlemen products, please contact the Saddlemen support line at (310) 638-1222.

IS 11-400061 BR1800/3400/4200 (Rev 3 03-2023)