

SADDLEMEN®

WWW.SADDLEMEN.COM

USER GUIDE & INSTALLATION INSTRUCTIONS

DESCRIPTION: All Saddlemen® Solo Seats

PART NUMBERS: 813-27-all, 818-27-all, 818-31-all

FITMENT: Harley-Davidson® Softail® Breakout models 2013-2021, Fat Boy models 2018-2021

OVERVIEW:

Congratulations on choosing a new Saddlemen® Solo seat for your motorcycle! Your new seat is constructed with a heavy-duty plastic or fiberglass pan that is made to install in the same way as a stock Harley® solo seat. Our durable rubber bumpers and plated brackets often exceed the strength and durability of the original seat's components. Inside, Saddlemen's GelCore® technology makes this the most comfortable seat you can buy.



IMPORTANT:

Please read these instructions completely before starting installation. All "NOTE" "CAUTION" and "WARNING" notations are serious safety issues and should be read carefully. Possible injury to riders or damage to the motorcycle and/or accessory may result if improperly installed.

NOTICE TO DEALERS:

These instructions contain important information for future reference and should be given to the customer.

⚠ WARNING:

Because of the variety of motorcycle configurations, other accessories, and the features and intended use of this Saddlemen seat, there may be different mounting options. You are responsible for the proper installation of this seat on your motorcycle. Your attention to these installation instructions, any additional specific instructions and recommendations will permit the safe and proper use of this seat. You must mount this seat properly and securely before riding your motorcycle. If you lack the ability to safely and properly install this seat, seek out a qualified motorcycle technician for assistance. During installation, you may need to support the motorcycle with a suitable stand or lift so it will not tip over and injure you, or damage the vehicle. Using or mounting this seat improperly could result in a loss of control of the motorcycle which could result in damage to your motorcycle or other personal property, the property of third parties, and/or personal injury to yourself or others, up to and including death.

BE SURE TO THOROUGHLY READ AND CLOSELY FOLLOW THE MOUNTING INSTRUCTIONS THAT ARE INCLUDED WITH THIS SEAT.

- The seat must be installed and securely fastened onto the chassis of the motorcycle. Refer to your motorcycle's Owner's Manual and/or Service Manual for guidance.
- If you do not understand these instructions DO NOT mount the seat, and remove any seat related components you may have already installed on your motorcycle.
- Thoroughly inspect your motorcycle's seat before every ride. Do not use this seat if its mounting system has been modified, has deteriorated, loosened or is beginning to fail.
- Continually check the security of your seat and other accessories at each stop as you ride. Items attached to your motorcycle can loosen during operation, so be sure to check them frequently.
- Do not use this seat if you have any doubts as to whether it is properly mounted to your motorcycle. You must be sure that the installation of the seat will not damage your motorcycle's painted or plated parts. Saddlemen is not responsible if you or your technician mount the seat and it damages your motorcycle for any reason.
- When using any accessory, do not exceed your vehicle's Maximum Gross Vehicle Weight as listed on your motorcycle or in the manufacturer's owner's manual.
- If your seat is ever damaged, do not use it until it has been inspected by your local professional motorcycle dealer. You may also need to send your seat to Saddlemen for inspection or repair. Replace any mounting part immediately if it has sustained damage that will prevent the seat from being properly secured to your motorcycle.

PASSENGER GRAB STRAP: This accessory seat is provided without a passenger grab strap. Carrying a passenger without a grab strap in place on your motorcycle may be hazardous for the passenger. Grab straps, rear mounted foot pegs, sissy bars, passenger backrests and trunks aid in making a passenger more secure on the vehicle. Laws in some jurisdictions require grab straps or other security devices when a passenger is transported. Do not transport a passenger if they are not secure. A passenger seat must be installed on the motorcycle to transport a passenger. Do not disable grab straps or other safety features provided on your motorcycle and obey all traffic laws while riding.

Saddlemen offers a complimentary grab strap for this seat, part no. 15327. Call (310) 638-1222 for more information. Always ride responsibly and take precautions to be sure your passenger is secure and comfortable at all times.

IS- Softail Breakout/Fat Boy Solo (11-21)

⚠ WARNING:

DO NOT ATTEMPT TO USE THIS SEAT IF:

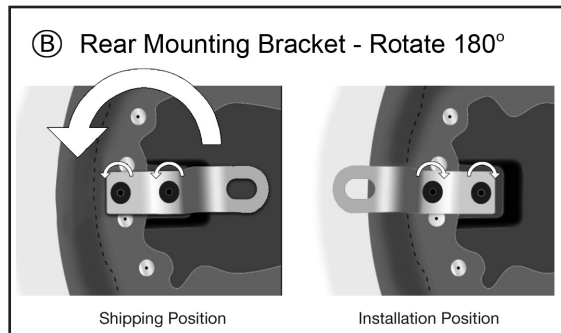
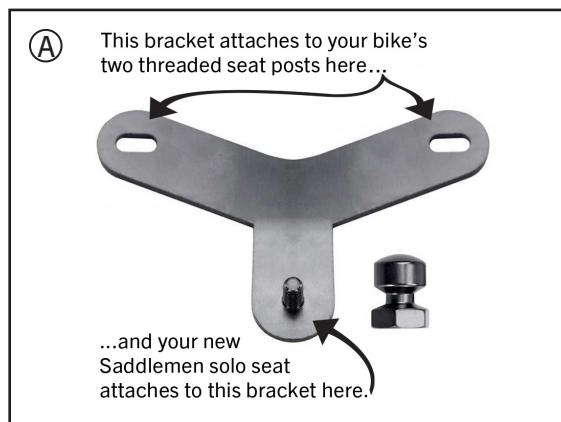
- You do not understand these installation and use instructions;
- You do not understand any part of the seat's mounting system;
- You have any doubts as to the security of the seat's mounting system.
- If you have any concerns or questions, seek help at your qualified motorcycle dealer or call the Saddlemen support line at (310) 638-1222.

Remember: Motorcycling can be a dangerous activity. Installation of any accessory can increase your risk if it is not installed properly. You are responsible to install this seat or any accessory so it will not contact any portion of the drive train, suspension or steering, or if it will in any way interfere with the operation of your motorcycle.

INSTALLATION:

These instructions apply only to H-D Softail Breakout models from 2013 to 2021, and Fat Boy models 2018-2021.

1. Remove your bike's stock front seat by unscrewing two nuts located at the back of the seat. Pull the seat away from the gas tank, being careful not to scratch your fender. Your motorcycle will have two threaded studs coming up from the fender.
2. Saddlemen includes a Y-bracket with every solo seat for Breakout and Fat Boy (2018+) models (Fig. A). Install this bracket onto the two threaded seat posts, using the original nuts. The Y-bracket includes a single threaded post that will sit over the fender, facing up.
3. Your Saddlemen seat comes with a single rear mounting bracket installed in the Shipping Position (Fig. B). Using a 4mm Allen wrench, unscrew the two bolts, turn the mounting bracket around, and reinstall the two bolts with the bracket in the Installation Position. 10 -to- 15 ft/lbs torque is recommended, do not overtighten.
4. With the rear mounting bracket installed and ready, slide the front seat tab into the frame receiver under the bike's gas tank, and carefully set the rear seat bracket onto the threaded stud of the Y-bracket. A new flange nut is included, to secure your seat to the Y-bracket. Tighten to 10 -to- 15 ft/lbs.



NOTE:

For additional paint protection, use a Saddlemen Adhesive Fender Washer (PN: 8901) and a Saddlemen Protective Tape Kit (PN: 4320-0807) which further protects paint from abrasion damage from a seat, and is also useful when mounting other accessories such as tank bags or saddlebags.

NOTE: It is not considered abnormal for your new Saddlemen seat to touch the motorcycle's chassis in certain places (just like your original seat). Due to the natural variance of your vehicle and your new Saddlemen seat, you should always check to see if portions of the seat are touching painted or finished surfaces on your motorcycle. If the test fitting of your seat indicates an area where the seat is touching a sensitive surface, you can protect that area by using the Saddlemen Protective Tape Kit.

CAUTION:

It is your responsibility to make sure the seat installation does not create an unsafe or illegal situation. Remember that this seat is a custom accessory. It is your responsibility to check the installation to determine if it will be safe for you to operate the motorcycle and to properly and safely carry a passenger (this includes reinstalling the passenger grab strap or installing a suitable replacement). You must also ensure that the installation does not damage your vehicle in any way. After 50 miles (80 kilometers), recheck the seat's mounting to make sure it is still secure. Inspect all of your accessories and related hardware before and during each ride. An improperly mounted seat can interfere with the vehicle's operation and cause an unsafe riding condition.

IS- Softail Breakout/Fat Boy Solo (11-21)



Saddlemen seats are made in the U.S.A. and use the finest materials available.

Congratulations on the purchase of your new Saddlemen motorcycle seat!

Your seat is warranted against defective material and workmanship for a period of one year from the date of purchase.



Caution Handle with Care

YOUR SADDLEMEN SEAT REQUIRES ALMOST NO MAINTENANCE OTHER THAN PERIODIC CLEANING WITH MILD SOAP AND WATER, AND THE APPLICATION OF A UV INHIBITOR TO PREVENT COLOR FADING CAUSED BY UVA AND UVB SUN EXPOSURE TO THE THREAD. WE RECOMMEND RAY BLOC FABRIC PROTECTOR OR SIMILAR WHICH CAN BE PURCHASED ONLINE OR AT YOUR LOCAL HOME IMPROVEMENT STORE.

THIS SEAT HAS BEEN INSPECTED AND IS FREE OF RIPS, CUTS OR TEARS IN THE COVER. IF THERE IS DAMAGE TO THIS PRODUCT THAT MAY HAVE RESULTED FROM THE FREIGHT COMPANY, SAVE ALL PACKAGING MATERIAL AND PUT IN A CLAIM WITH THAT CARRIER.

ALL REPAIRS AND REPLACEMENTS WILL BE DONE AT THE DISCRETION OF THE MANUFACTURER.
ANY MODIFICATIONS TO THE PRODUCT WILL VOID WARRANTY. NO WARRANTY CLAIMS SHALL EXCEED THE PURCHASE PRICE OF THE SEAT.

SADDLEMEN WILL NOT BE LIABLE FOR CONSEQUENTIAL OR INCIDENTAL DAMAGES. RETURNED SEATS MUST BE IN LIKE NEW CONDITION.

Confirm Proper Fitment

Always carefully check fitment before the final mounting of your new seat. DO NOT bolt down the seat until you confirm it fits properly. When checking fitment of your Saddlemen seat, place a cloth under the seat then carefully set the seat on the bike and confirm fitment.

WHEN HANDLING THIS PRODUCT, AVOID CONTACT WITH SHARP EDGES OR HARD PARTS. THIS MAY RESULT IN DAMAGE AND VOID WARRANTY.

WARNING: Inspect the hardware before and during each ride. Loose mounting hardware can interfere with the vehicle's operation and cause an unsafe riding condition.

Limited Warranty Policy

Saddlemen warrants to the original retail purchaser that for a period of one year from the date of retail purchase, they will repair or replace, at their option, any product which is defective in material or workmanship.

What is Covered

Replacement parts and labor are covered. Return ground transportation charges to Consumer for repaired product are covered. REPAIR OR REPLACEMENT AS PROVIDED IN THE WARRANTY IS YOUR EXCLUSIVE REMEDY.

What is Not Covered

Saddlemen does not warrant any product which is damaged from abuse, lack of maintenance or is not used for its intended purpose. Normal wear and tear are excluded. This Limited Warranty does not cover or apply to any loss or damage to the motorcycle or other items which may have been caused by the defective product and does not apply to personal injury, repair or other incidental costs caused by defective product. Transportation charges to Saddlemen for defective product are not covered. Sales outside of the United States and any other expenses are not covered.

CONSEQUENTIAL DAMAGES, INCIDENTAL DAMAGES, OR INCIDENTAL EXPENSES, INCLUDING DAMAGE TO PROPERTY, ARE NOT COVERED. SOME STATES DO NOT ALLOW THE EXCLUSION OR LIMITATION OF INCIDENTAL OR CONSEQUENTIAL DAMAGES, SO THE ABOVE LIMITATION OR EXCLUSION MAY NOT APPLY TO YOU.

Warranty Coverage

At the option of Saddlemen, your returned product will be repaired to our current design standard or replaced at our cost with either identical product or our most equivalent current product and returned with transportation charges prepaid via regular surface transportation to any location in the continental US.

THIS IS THE ONLY EXPRESS WARRANTY GIVEN WITH RESPECT TO YOUR PRODUCT. ALL OTHER EXPRESS WARRANTIES, GUARANTEES (EXCEPT WRITTEN "SATISFACTION GUARANTEE") OR STATEMENTS REGARDING THE PRODUCT ARE HEREBY DEEMED NULL AND VOID AND OF NO EFFECT.

Disclaimer of Other Warranties

ANY IMPLIED WARRANTY WHETHER OF MERCHANTABILITY, FITNESS FOR A PARTICULAR PURPOSE, OR OTHERWISE ON THIS PRODUCT IS LIMITED TO THE DURATION OF THIS WARRANTY, EXCEPT TO THE EXTENT PROHIBITED BY APPLICABLE LAW. SOME STATES DO NOT ALLOW LIMITATIONS ON HOW LONG AN IMPLIED WARRANTY WILL LAST, SO THE PRECEDING LIMITATION MAY NOT APPLY TO YOU.

Implied Warranties

ANY IMPLIED WARRANTIES, INCLUDING THE IMPLIED WARRANTIES OF MERCHANTABILITY AND FITNESS FOR A PARTICULAR PURPOSE, ARE LIMITED IN DURATION TO ONE YEAR FROM DATE OF RETAIL PURCHASE. SOME STATES DO NOT ALLOW LIMITATIONS ON HOW LONG AN IMPLIED WARRANTY LASTS, SO THE ABOVE LIMITATIONS MAY NOT APPLY TO YOU.

To the extent any provision of this warranty is prohibited by federal, state or municipal law and cannot be preempted, it shall not be applicable.
This warranty gives you specific legal rights, and you may also have other rights which vary from state to state.

IS- Softail Breakout/Fat Boy Solo (11-21)



17801 SOUTH SUSANA ROAD, RANCHO DOMINGUEZ, CA 90221

PH: 310.638.1222