

SADDLEMEN®

WWW.SADDLEMEN.COM

USER GUIDE & INSTALLATION INSTRUCTIONS

DESCRIPTION: RoadSofa™ Seats **PART NUMBER:** 823-07-all
FITMENT: Harley-Davidson® Touring models 2023 CVO & most 2024 Road Glide & Street Glide

OVERVIEW:

Thank you for choosing a Saddlemen RoadSofa for your Harley-Davidson Touring motorcycle. We hope you'll agree that this is the finest, most comfortable seat you'll ever ride on. It's Saddlemen's goal to make the best seat we can, using only top grade materials and carefully refined contours to provide the most comfortable ride possible.

Seat options that are covered by these instructions include: Removable, adjustable Driver's Backrest; Seat Heater, and Rain Cover.

IMPORTANT:

Please read these instructions completely before starting installation. All "NOTE," "CAUTION" and "WARNING" notations are serious safety issues and should be read carefully. Possible injury to riders or damage to the motorcycle and/or accessory may result if improperly installed.

NOTICE TO DEALERS:

These instructions contain important information for future reference and should be given to the customer.

⚠ WARNING:

READ ALL INSTRUCTIONS THOROUGHLY BEFORE STARTING!

Because of the variety of motorcycle configurations, other accessories, and the features and intended use of this Saddlemen seat, there may be different mounting options. You are responsible for the proper installation of this seat on your motorcycle. Your attention to these installation instructions, any additional specific instructions and recommendations will permit the safe and proper use of this seat. You must mount this seat properly and securely before riding your motorcycle. If you lack the ability to safely and properly install this seat, seek out a qualified motorcycle technician for assistance. During installation, you may need to support the motorcycle with a suitable stand or lift so it will not tip over and injure you, or damage the vehicle. Using or mounting this seat improperly could result in a loss of control of the motorcycle which could result in damage to your motorcycle or other personal property, the property of third parties, and/or personal injury to yourself or others, up to and including death.

PASSENGER GRAB STRAP: This accessory seat is provided without a passenger grab strap. Carrying a passenger without a grab strap in place on your motorcycle may be hazardous for the passenger. Grab straps, rear mounted foot pegs, sissy bars, passenger backrests and trunks aid in making a passenger more secure on the vehicle. Laws in some jurisdictions require grab straps or other security devices when a passenger is transported. Do not transport a passenger if they are not secure. Do not disable grab straps or other safety features provided on your motorcycle and obey all traffic laws while riding.

Saddlemen offers a complimentary grab strap for this seat, part no. 15327. Call (310) 638-1222 for more information. Always ride responsibly and take precautions to be sure your passenger is secure and comfortable at all times.

⚠ California Proposition 65 Warning

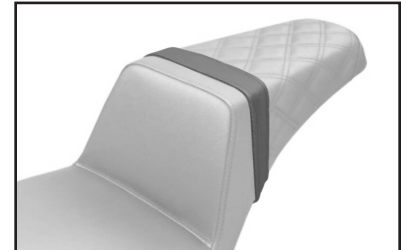
WARNING: This product contains chemicals known to the State of California to cause cancer and birth defects or other reproductive harm. For more information: www.P65/Warnings.ca.gov

BE SURE TO THOROUGHLY READ AND CLOSELY FOLLOW THE MOUNTING INSTRUCTIONS THAT ARE INCLUDED WITH THIS SEAT.

- The seat must be installed and securely fastened onto the chassis of the motorcycle. Refer to your motorcycle's Owner's Manual and/or Service Manual for guidance.
- If you do not understand these instructions DO NOT mount the seat, and remove any related components you may have already installed on your motorcycle.
- Thoroughly inspect your motorcycle's seat before every ride. Do not use this seat if its mounting system has been modified, has deteriorated, loosened or is beginning to fail.
- Continually check the security of your seat and other accessories at each stop as you ride. Items attached to your motorcycle can loosen during operation, so be sure to check them frequently.
- Do not use this seat if you have any doubts as to whether it is properly mounted to your motorcycle. You must be sure that the installation of the seat will not damage your motorcycle's painted or plated parts. Saddlemen is not responsible if you or your technician mount the seat and it damages your motorcycle for any reason.
- When using any accessory, do not exceed your vehicle's Maximum Gross Vehicle Weight as listed on your motorcycle or in the manufacturer's owner's manual.
- If your seat is ever damaged, do not use it until it has been inspected by your local professional motorcycle dealer. You may also need to send your seat to Saddlemen for inspection or repair. Replace any mounting part immediately if it has sustained damage that will prevent the seat from being properly secured to your motorcycle.

DO NOT ATTEMPT TO USE THIS SEAT IF...

- You do not understand these installation and use instructions;
- You do not understand any part of the seat's mounting system;
- You have any doubts as to the security of the seat's mounting system.
- If you have any concerns or questions, seek help at your qualified motorcycle dealer or call the Saddlemen support line at (310) 638-1222.



11-400600 H-D 2024 Road Sofa (Rev2 5/2024)

SADDLEMEN®

17801 SOUTH SUSANA ROAD, RANCHO DOMINGUEZ, CA 90221

PH: 310.638.1222

⚠ WARNING:

Remember: Motorcycling can be a dangerous activity. Installation of any accessory can increase your risk if it is not installed properly. You are responsible to install this seat or any accessory so it will not contact any portion of the drive train, suspension or steering, or if it will in any way interfere with the operation of your motorcycle.

Seats with heaters require that the battery terminals be disconnected in advance, before working on the motorcycle's electrical circuit. When appropriate, the security codes (radio, navigation system, etc.) should be noted.

INSTALLATION:

To avoid injury, install while engine is cold.

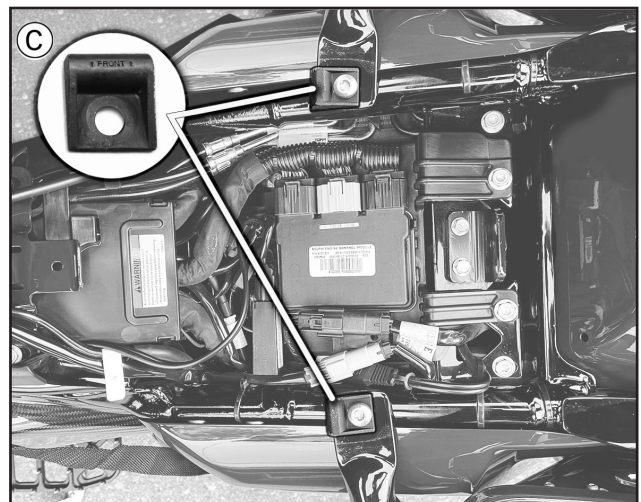
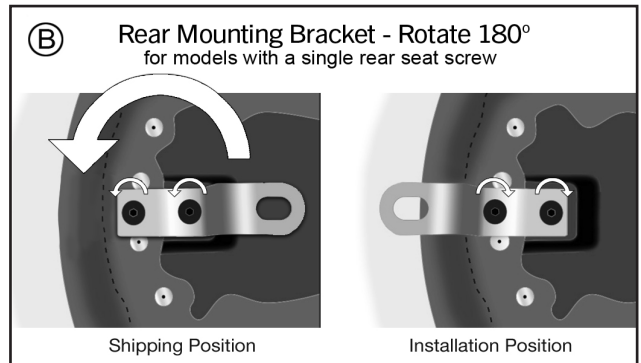
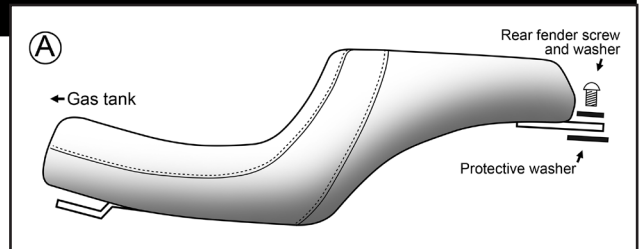
1. See Fig. A. Remove your stock seat with a single screw, located on the rear fender behind the seat. You may also need to remove the passenger grab strap. If your bike is equipped with seat heaters, you may need to disconnect some wires as you pull the seat off your bike.

2. See Fig. B. Some Saddlemen seats will have the rear metal seat tab installed backwards for shipping; using a 4mm Allen wrench, take off that tab and reinstall it in the correct position for mounting on the bike.

3. When installing your new Road Sofa, you may need to apply downward pressure as you slide the front of the seat towards the gas tank, engaging the front seat tabs under the bike's frame.

4. Once your new seat is in place, Saddlemen provides a protective washer to put between the metal seat tab and your fender, as you reinstall the seat screw.

5. **2014 and later H-D Touring models** have two metal frame bumpers on either side of the battery (see Fig. C) that should be removed prior to installing your Saddlemen seat.



OPTION: RAIN COVER

Slip the cover over the seat, using the elastic edging to keep it in place. The cover is designed to fit over the optional driver's backrest. The Rain Cover is only intended to be used when the motorcycle is parked, not while riding.



11-400600 H-D 2024 Road Sofa (Rev2 5/2024)

INSTALLATION *(continued)*

OPTION: REMOVABLE BACKREST - ADJUSTMENT AND OPERATION

If your seat was ordered with the Driver's Backrest option, there will be hardware inside the seat to receive the backrest bar (note that this will not work with any fender-mounted backrest installation). Access is through a slot (sometimes covered by a flap) on the seat top behind the driver's lumbar support. The metal backrest bar will get inserted into this sleeve and can then be adjusted both vertically or fore and aft.

Your backrest may have come pre-assembled. If so, please skip ahead to #2.

1. **ASSEMBLY** Remove the loosely assembled bolt, washers and nut. Find the Backrest Bar and assemble it to the Backrest Pad by inserting the end of the bar with the welded tubing into the chrome "C" bracket found underneath the pouch on the rear of the backrest. Re-install the bolt, washers and nut. The fore/aft adjustment screw on the bar should be facing forward on the bike. Slide the soft vinyl backrest bar cover sleeve over the bar, bringing the thumb screw through the hole in the cover sleeve.

2. **INSTALLATION** Grasp the backrest bar and slide it into the hidden metal sleeve. You should feel it click into place. If the backrest bar is "floppy" after insertion, it is not inside the metal sleeve. Remove and reinstall, making sure it is firmly in the correct position.

3. **ADJUST HEIGHT** The height of the backrest is adjustable to two or three positions, determined by detents on the backrest bar. Adjust height by firmly grasping the bar and lower or raise it to the desired height.

4. **ADJUST FORE/AFT POSITION** The fore/aft position of the backrest unit is adjusted by a thumb screw located under the backrest pad on the backrest bar. It is accessible through a hole in the backrest bar cover. Turning the screw in or out, will change the bar angle. This can slant the pad fore or aft by three inches. The most common and suggested starting position is with the backrest aligned directly above, and at the same angle as, the upward portion of the driver's lumbar support. When you have adjusted the backrest to the desired angle, using a separate open end wrench, tighten the included jam nut against the backrest bar to prevent the screw from backing out while riding.

5. **ANGLE** The backrest pad is designed to automatically conform to the angle of the driver's back during riding. No adjustment is necessary.

6. **REMOVAL** Grasp the backrest bar. Pull it firmly up and away from the seat.

7. **FOLDING** The backrest can be folded forward by pushing the top of the backrest forward. This will assist passenger boarding.

8. **TENSION** The tension of the folding process and the angle adjustment can be changed as desired. Tighten or loosen the two horizontal bolts passing through the backrest bar at the hinge and backrest pad attachment points.



OPTION: TRUNK MOUNTED PASSENGER BACKREST PAD

Saddlemen offers passenger backrest pads to match every Saddlemen RoadSofa style. Each is a direct replacement pad that mounts to your Tour-Pak. Ask your dealer or call a Saddlemen sales rep at 310-638-1222 for more details.



INSTALLATION *(continued)*

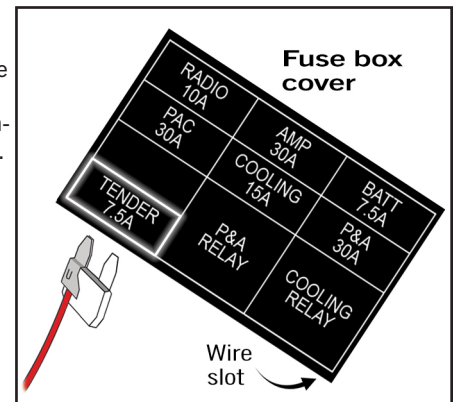
OPTION: SEAT HEATER

The seat heater option will require you to connect wires from the seat to the motorcycle. Saddlemen provides a wiring harness with a quick-disconnect plug that makes it easy to remove your seat in the future. Motorcycle electrical systems can be easily damaged if you are not experienced. If you have doubt as to your ability to safely install this accessory without damaging your motorcycle, please consult with a qualified motorcycle technician.

NOTE *When removing your heated seat from your motorcycle, always make sure to also remove the wiring harness.*

For H-D 2023 CVO and 2024 Touring models

1. Turn key or ignition switch to OFF position and remove key. If equipped with keyless fob, remove fob from proximity of vehicle.
2. With the seat off the bike, begin by disconnecting both terminal leads to the battery.
3. Under the motorcycle's left side cover is a plastic, triangular shaped housing for electronic components (see photo). With a 1/2" socket wrench, remove the two top bolts that hold the housing to the frame (A). You will only need to pull the housing away from the bike an inch or two, so there is no need to disconnect wires.
4. From the left side of the bike, run the seat heater wiring harness power connector plug, as well as the black ground wire, through the center opening of the component housing (B) and under the frame rail, locating them near the battery. The seat's red power wire should stay outside of the triangular housing, near the fuse box. The black wire should be above the battery.
5. Unclip the motorcycle's ECM computer, and attach the seat heater's black ground wire to the battery's negative (-) terminal. Re-clip the ECM back in place.
6. Remove the stock fuse box cover, and pull out the 7.5 TENDER fuse. The RoadSofa's red power wire has a special fuse tap that mates with the LEFT SIDE of a 7.5 amp fuse. With the fuse tap in the left side of the fuse, push the fuse back into place. Replace the fuse box cover with the new, taller cover included with your seat, which features an open slot through which you can run the red seat heater wire.
7. Once you've got the wiring in place, reconnect the battery terminals.
8. Reinstall the side cover and the seat.
9. Remember to turn off your seat heater switches every time you get off the bike. Leaving these switches on will drain your battery.



BREAK IN AND MAINTENANCE

Allow a brief break in period for the Saddlemen seat to conform to your anatomy, and for you to become accustomed to a "new feel". This should be accomplished within your first 500 to 1200 miles. **NOTE:** Due to the firmer foam used in a Saddlemen, your new seat will feel slightly higher at first. Your Saddlemen seat will gradually break in to your anatomy and slightly compress as your mileage increases. It does not breakdown like a factory seat.

CAUTION:

It is your responsibility to make sure the seat installation does not create an unsafe or illegal situation. Remember that this seat is a custom accessory. It is your responsibility to check the installation to determine if it will be safe for you to operate the motorcycle and to properly and safely carry a passenger (this includes reinstalling the passenger grab strap or installing a suitable replacement). You must also ensure that the installation does not damage your vehicle in any way.

After 50 miles (80 kilometers), recheck the seat's mounting to make sure it is still secure. Inspect all of your accessories and related hardware before and during each ride. An improperly mounted seat can interfere with the vehicle's operation and cause an unsafe riding condition.



Saddlemen seats are made in the U.S.A. and use the finest materials available.

Congratulations on the purchase of your new Saddlemen motorcycle seat!

Your seat is warranted against defective material and workmanship for a period of one year from the date of purchase.



Caution Handle with Care

YOUR SADDLEMEN SEAT REQUIRES ALMOST NO MAINTENANCE OTHER THAN PERIODIC CLEANING WITH MILD SOAP AND WATER, AND THE APPLICATION OF A UV INHIBITOR TO PREVENT COLOR FADING CAUSED BY UVA AND UVB SUN EXPOSURE TO THE THREAD. WE RECOMMEND RAY BLOC FABRIC PROTECTOR OR SIMILAR WHICH CAN BE PURCHASED ONLINE OR AT YOUR LOCAL HOME IMPROVEMENT STORE.

THIS SEAT HAS BEEN INSPECTED AND IS FREE OF RIPS, CUTS OR TEARS IN THE COVER. IF THERE IS DAMAGE TO THIS PRODUCT THAT MAY HAVE RESULTED FROM THE FREIGHT COMPANY, SAVE ALL PACKAGING MATERIAL AND PUT IN A CLAIM WITH THAT CARRIER.

ALL REPAIRS AND REPLACEMENTS WILL BE DONE AT THE DISCRETION OF THE MANUFACTURER. ANY MODIFICATIONS TO THE PRODUCT WILL VOID WARRANTY. NO WARRANTY CLAIMS SHALL EXCEED THE PURCHASE PRICE OF THE SEAT.

THIS SADDLEMEN SEAT WAS DESIGNED TO FIT ONTO A STOCK MOTORCYCLE. IF ANY PART OF THE MOTORCYCLE (FRAME, FENDER, GAS TANK, ETC) HAS BEEN ALTERED OR CHANGED, THERE IS NO GUARANTEE OF PROPER FITMENT. SADDLEMEN IS NOT RESPONSIBLE FOR ANY DAMAGE THAT MAY OCCUR BY ATTEMPTING TO INSTALL A NEW SEAT ONTO A MODIFIED, NON-STOCK MOTORCYCLE.

SADDLEMEN WILL NOT BE LIABLE FOR CONSEQUENTIAL OR INCIDENTAL DAMAGES. RETURNED SEATS MUST BE IN LIKE NEW CONDITION.

Confirm Proper Fitment

Always carefully check fitment before the final mounting of your new seat. DO NOT bolt down the seat until you confirm it fits properly. When checking fitment of your Saddlemen seat, place a cloth under the seat then carefully set the seat on the bike and confirm fitment.

WHEN HANDLING THIS PRODUCT, AVOID CONTACT WITH SHARP EDGES OR HARD PARTS. THIS MAY RESULT IN DAMAGE AND VOID WARRANTY.

WARNING: Inspect the hardware before and during each ride. Loose mounting hardware can interfere with the vehicle's operation and cause an unsafe riding condition.

Limited Warranty Policy

Saddlemen warrants to the original retail purchaser that for a period of one year from the date of retail purchase, they will repair or replace, at their option, any product which is defective in material or workmanship.

What is Covered

Replacement parts and labor are covered. Return ground transportation charges to Consumer for repaired product are covered. REPAIR OR REPLACEMENT AS PROVIDED IN THE WARRANTY IS YOUR EXCLUSIVE REMEDY.

What is Not Covered

Saddlemen does not warrant any product which is damaged from abuse, lack of maintenance or is not used for its intended purpose. Normal wear and tear are excluded. This Limited Warranty does not cover or apply to any loss or damage to the motorcycle or other items which may have been caused by the defective product and does not apply to personal injury, repair or other incidental costs caused by defective product. Transportation charges to Saddlemen for defective product are not covered. Sales outside of the United States and any other expenses are not covered.

CONSEQUENTIAL DAMAGES, INCIDENTAL DAMAGES, OR INCIDENTAL EXPENSES, INCLUDING DAMAGE TO PROPERTY, ARE NOT COVERED. SOME STATES DO NOT ALLOW THE EXCLUSION OR LIMITATION OF INCIDENTAL OR CONSEQUENTIAL DAMAGES, SO THE ABOVE LIMITATION OR EXCLUSION MAY NOT APPLY TO YOU.

Warranty Coverage

At the option of Saddlemen, your returned product will be repaired to our current design standard or replaced at our cost with either identical product or our most equivalent current product and returned with transportation charges prepaid via regular surface transportation to any location in the continental US.

THIS IS THE ONLY EXPRESS WARRANTY GIVEN WITH RESPECT TO YOUR PRODUCT. ALL OTHER EXPRESS WARRANTIES, GUARANTEES (EXCEPT WRITTEN "SATISFACTION GUARANTEE") OR STATEMENTS REGARDING THE PRODUCT ARE HEREBY DEEMED NULL AND VOID AND OF NO EFFECT.

Disclaimer of Other Warranties

ANY IMPLIED WARRANTY WHETHER OF MERCHANTABILITY, FITNESS FOR A PARTICULAR PURPOSE, OR OTHERWISE ON THIS PRODUCT IS LIMITED TO THE DURATION OF THIS WARRANTY, EXCEPT TO THE EXTENT PROHIBITED BY APPLICABLE LAW. SOME STATES DO NOT ALLOW LIMITATIONS ON HOW LONG AN IMPLIED WARRANTY WILL LAST, SO THE PRECEDING LIMITATION MAY NOT APPLY TO YOU.

Implied Warranties

ANY IMPLIED WARRANTIES, INCLUDING THE IMPLIED WARRANTIES OF MERCHANTABILITY AND FITNESS FOR A PARTICULAR PURPOSE, ARE LIMITED IN DURATION TO ONE YEAR FROM DATE OF RETAIL PURCHASE. SOME STATES DO NOT ALLOW LIMITATIONS ON HOW LONG AN IMPLIED WARRANTY LASTS, SO THE ABOVE LIMITATIONS MAY NOT APPLY TO YOU.

To the extent any provision of this warranty is prohibited by federal, state or municipal law and cannot be preempted, it shall not be applicable.

This warranty gives you specific legal rights, and you may also have other rights which vary from state to state.

11-400600 H-D 2024 Road Sofa (Rev2 5/2024)



17801 SOUTH SUSANA ROAD, RANCHO DOMINGUEZ, CA 90221

PH: 310.638.1222