

SADDLEMEN®

WWW.SADDLEMEN.COM

USER GUIDE & INSTALLATION INSTRUCTIONS

DESCRIPTION: Seat Installation
FITMENT: Indian Challenger 2020-

PART NUMBER: I20-06- Series

CONTENTS / PARTS INCLUDED:

<u>Qty</u>	<u>Item</u>	<u>Tool Required:</u>
1	Seat	6mm Allen wrench
1	Spacer	
1	Flat washer	

IMPORTANT:

Please read these instructions completely before starting installation. All “NOTE” “CAUTION” and “WARNING” notations are serious safety issues and should be read carefully. Possible injury to riders or damage to the motorcycle and/or accessory may result if improperly installed.

NOTICE TO DEALERS:

These instructions contain important information for future reference and should be given to the customer.

⚠ WARNING:

Because of the variety of motorcycle configurations, other accessories, and the features and intended use of this Saddlemen seat, there may be different mounting options. You are responsible for the proper installation of this seat on your motorcycle. Your attention to these installation instructions, any additional specific instructions and recommendations will permit the safe and proper use of this seat. You must mount this seat properly and securely before riding your motorcycle. If you lack the ability to safely and properly install this seat, seek out a qualified motorcycle technician for assistance. During installation, you may need to support the motorcycle with a suitable stand or lift so it will not tip over and injure you, or damage the vehicle. Using or mounting this seat improperly could result in a loss of control of the motorcycle which could result in damage to your motorcycle or other personal property, the property of third parties, and/or personal injury to yourself or others, up to and including death.

BE SURE TO THOROUGHLY READ AND CLOSELY FOLLOW THE MOUNTING INSTRUCTIONS THAT ARE INCLUDED WITH THIS SEAT.

- The seat must be installed and securely fastened onto the chassis of the motorcycle. Refer to your motorcycle's Owner's Manual and/or Service Manual for guidance.
- If you do not understand these instructions DO NOT mount the seat, and remove any related components you may have already installed on your motorcycle.
- Thoroughly inspect your motorcycle's seat before every ride. Do not use this seat if its mounting system has been modified, has deteriorated, loosened or is beginning to fail.
- Continually check the security of your seat and other accessories at each stop as you ride. Items attached to your motorcycle can loosen during operation, so be sure to check them frequently.
- Do not use this seat if you have any doubts as to whether it is properly mounted to your motorcycle. You must be sure that the installation of the seat will not damage your motorcycle's painted or plated parts. Saddlemen is not responsible if you or your technician mount the seat and it damages your motorcycle for any reason.
- When using any accessory, do not exceed your vehicle's Maximum Gross Vehicle Weight as listed on your motorcycle or in the manufacturer's owner's manual.
- If your seat is ever damaged, do not use it until it has been inspected by your local professional motorcycle dealer. You may also need to send your seat to Saddlemen for inspection or repair. Replace any mounting part immediately if it has sustained damage that will prevent the seat from being properly secured to your motorcycle.

Always ride responsibly and take precautions to be sure your passenger is secure and comfortable at all times.

DO NOT ATTEMPT TO USE THIS SEAT IF:

- You do not understand these installation and use instructions;
- You do not understand any part of the seat's mounting system;
- You have any doubts as to the security of the seat's mounting system.
- If you have any concerns or questions, seek help at your qualified motorcycle dealer or call the Saddlemen support line at (310) 638-1222.

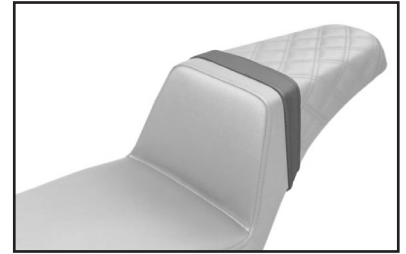
Remember: Motorcycling can be a dangerous activity. Installation of any accessory can increase your risk if it is not installed properly. You are responsible to install this seat or any accessory so it will not contact any portion of the drive train, suspension or steering, or if it will in any way interfere with the operation of your motorcycle.

I20-06-Series Indian Challenger Rev 02-22

⚠ WARNING:

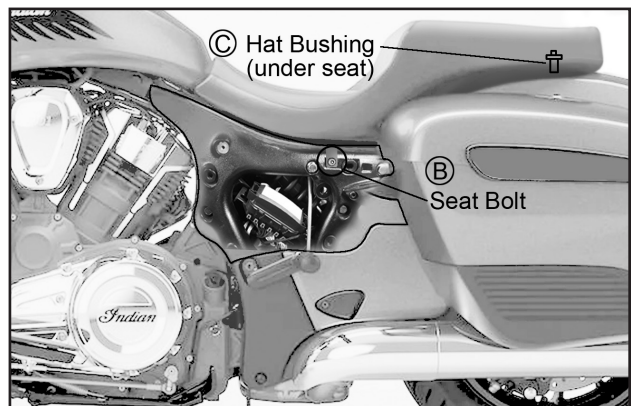
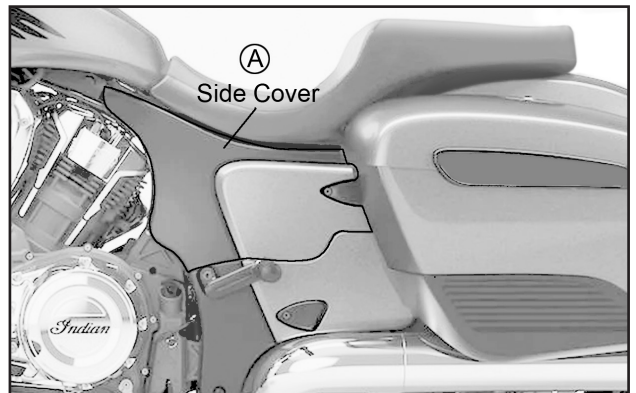
PASSENGER GRAB STRAP: This accessory seat is provided without a passenger grab strap. Carrying a passenger without a grab strap in place on your motorcycle may be hazardous for the passenger. Grab straps, rear mounted foot pegs, sissy bars, passenger backrests and trunks aid in making a passenger more secure on the vehicle. Laws in some jurisdictions require grab straps or other security devices when a passenger is transported. Do not transport a passenger if they are not secure. Do not disable grab straps or other safety features provided on your motorcycle and obey all traffic laws while riding.

Saddlemen offers a complimentary grab strap for this seat, part no. 15327. Call (310) 638-1222 for more information. Always ride responsibly and take precautions to be sure your passenger is secure and comfortable at all time.



INSTALLATION:

- To remove the stock seat, first carefully pull each of the plastic side covers (A) off the frame.
- Locate the seat mounting bolt (B) attaching the seat to the frame, one on each side. Using your 6mm Allen wrench, remove both of the seat mounting bolts.
- Lift up on the rear of the seat, and slide it backwards. Watch the seat's mounting tabs to make sure you don't scratch your bike. Also, there's a raised hat bushing (C) on the rear fender that the seat base will slide off of.
- Remove the raised hat bushing from on top of the rear fender. Your Saddlemen seat includes a spacer and a washer that will replace the stock hat bushing. Reusing the stock bolt, assemble the spacer, washer and bolt (D) and reinstall into the rear fender. The bottom of your new seat has a receiver that will connect to this new flange during installation.
- Under the front of the new seat, there are two male tabs that will slide under corresponding frame tabs just under the gas tank. Push down on the front of the seat while moving it forward, making sure these tabs engage with the frame. In the back, the seat should also connect with the raised washer assembly.
- Make sure the two side mounting tabs line up correctly with the frame holes, and screw the stock bolts back into the frame. The proper torque wrench setting is 18 ft-lbs.
- Carefully push both side covers back into the frame grommets.



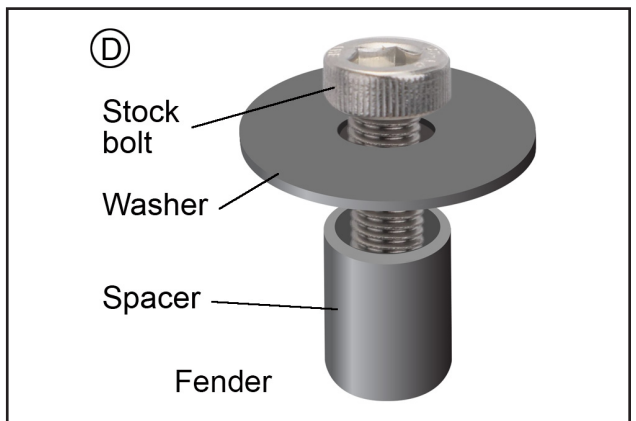
OPTION: SEAT HEATER - WIRING INSTRUCTIONS

There should be two wires coming out from the bottom of your heater-equipped seat-- one Ground (black) and one Positive (red). Connect the Positive wire to the power source on your motorcycle. This can be directly to your battery's Positive (+) terminal, or spliced into a wire or connection that is powered only when the motorcycle's ignition is turned on (preferred). By splicing into a switched power connection, power to the seat heater will turn off when you turn off your motorcycle, eliminating the possibility of accidentally draining the battery by leaving the heater switch on.

Most motorcycles' owner's manuals have a wiring chart you can refer to. Connect the Ground wire to your battery's Negative (-) terminal. Make sure that all connections are protected from shorting, and that any extra wire length is neatly wrapped and does not interfere with the seat installation to the motorcycle. If you have any doubts as to your abilities to install this seat and heating element, please see your authorized motorcycle mechanic for installation.

OPTION: REMOVABLE BACKREST - ADJUSTMENT AND OPERATION

If your seat was ordered with the Driver's Backrest option, there will be hardware inside the seat to receive the backrest bar. Access is through a slot (sometimes covered by a flap) on the seat top behind the driver's lumbar support. The metal backrest bar will get inserted into this sleeve and can then be adjusted both vertically or fore and aft.



I20-06-Series Indian Challenger Rev 02-22

INSTALLATION *(continued)*

If your backrest arrived preassembled, please skip ahead to #2.

1. **ASSEMBLY** Remove the loosely assembled bolt, washers and nut. Find the Backrest Bar and assemble it to the Backrest Pad by inserting the end of the bar with the welded tubing into the chrome "C" bracket found underneath the pouch on the rear of the backrest. Re-install the bolt, washers and nut. The fore/aft adjustment screw on the bar should be facing forward on the bike. Slide the soft vinyl backrest bar cover sleeve over the bar, bringing the thumb screw through the hole in the cover sleeve.

2. **INSTALLATION** Grasp the backrest bar and slide it into the hidden metal sleeve. You should feel it click into place. If the backrest bar is "floppy" after insertion, it is not inside the metal sleeve. Remove and reinstall, making sure it is firmly in the correct position.

3. **ADJUST HEIGHT** The height of the backrest is adjustable to two or three positions, determined by detents on the backrest bar. Adjust height by firmly grasping the bar and lower or raise it to the desired height.

4. **ADJUST FORE/AFT POSITION** The fore/aft position of the backrest unit is adjusted by a thumb screw located under the backrest pad on the backrest bar. It is accessible through a hole in the backrest bar soft cover. Turning the screw in or out will change the bar angle. This can slant the pad fore or aft by up to three inches. The most common and suggested starting position is with the backrest aligned directly above, and at the same angle as, the upward portion of the driver's lumbar support. When you have adjusted the backrest to the desired angle, using a separate open end wrench, tighten the included jam nut against the backrest bar to prevent the screw from backing out while riding.

5. **ANGLE** The backrest pad is designed to automatically conform to the angle of the driver's back during riding. No adjustment is necessary.

6. **REMOVAL** Grasp the backrest bar. Pull it firmly up and away from the seat.

7. **FOLDING** The backrest can be folded forward by pushing the top of the backrest forward. This will assist passenger boarding.

8. **TENSION** The tension of the folding process and the angle adjustment can be changed as desired. Tighten or loosen the two horizontal bolts passing through the backrest bar at the hinge and backrest pad attachment points.



CAUTION:

It is your responsibility to make sure the seat installation does not create an unsafe or illegal situation. Remember that this seat is a custom accessory. It is your responsibility to check the installation to determine if it will be safe for you to operate the motorcycle and to properly and safely carry a passenger (this includes reinstalling the passenger grab strap or installing a suitable replacement). You must also ensure that the installation does not damage your vehicle in any way.

Seats with heaters must not be installed on vehicles that will be used by riders who cannot sense heat or circulation or a sensory compromised person. There is a high risk of thermal burns.

After 50 miles (80 kilometers), recheck the seat's mounting to make sure it is still secure. Inspect all of your accessories and related hardware before and during each ride. An improperly mounted seat can interfere with the vehicle's operation and cause an unsafe riding condition.

NOTE:

CARE OF YOUR SADDLEMEN SEAT: Your seat requires almost no maintenance, other than periodic cleaning with mild soap and water.

LIMITED WARRANTY POLICY

SADDLEMEN LIMITED ONE-YEAR WARRANTY Saddlemen warrants its products for defects in materials, design or workmanship for a period of one year after retail purchase. Items that are defective will be repaired or replaced by Saddlemen at its sole discretion. Damage caused by improper use or improper installation is not a defect; therefore repair, replacement or shipping of a damaged accessory will not be covered under this warranty. This limited warranty contains other provisions and conditions, so please refer to the Warranty Policy that was provided with your seat or visit www.saddlemen.com for additional information. You can count on Saddlemen's quality, innovation, service and style. If for any reason you are not satisfied with the performance of your Saddlemen seat, please contact the Saddlemen support line at (310) 638-1222.

I20-06-Series Indian Challenger Rev 02-22