

SADDLEMEN®

WWW.SADDLEMEN.COM

USER GUIDE & INSTALLATION INSTRUCTIONS

DESCRIPTION: Saddlebag Lid Covers

PART NUMBER: L870-14-All

FITMENT: Harley-Davidson® Touring models 2014+

CONTENTS / PARTS INCLUDED:

<u>Qty</u>	<u>Item</u>	<u>Qty</u>	<u>Item</u>
1	Right side Saddlebag Lid Cover	1	Left side Saddlebag Lid Cover
1	Instructions		

IMPORTANT:

Please read these instructions completely before starting installation. All "NOTE," "CAUTION" and "WARNING" notations are serious safety issues and should be read carefully. Possible injury to riders or damage to the motorcycle and/or accessory may result if improperly installed.

NOTICE TO DEALERS:

These instructions contain important information for future reference and should be given to the customer.

⚠ WARNING:

READ ALL INSTRUCTIONS THOROUGHLY BEFORE STARTING!

You are responsible for the correct installation and safe use of this product. Seek qualified instruction if you are uncertain about your capabilities and limitations or if you need help with installation. Use of this product in a manner other than its intended purpose or contradictory to the warnings and instruction provided could cause loss of control of your motorcycle, possibly resulting in personal injury or death.

- Do not use this product if any part of the mounting system has deteriorated, loosened or is beginning to fail. If you have any doubts as to the security of the installation, remove it immediately.
- This product is only intended to be used on hard saddlebags that are original equipment on many Harley-Davidson® touring models.
- After every stop, check the Saddlebag Lid Covers to be certain that they did not shift while riding and verify that the mounting is secure.
- DO NOT ATTEMPT TO USE THESE SADDLEBAG LID COVERS IF....
 - ...you do not understand these instructions;
 - ...you do not understand any part of the mounting system;
 - ...you have any doubts as to the security of the mounting system.
- If you do not understand these instructions, how to safely and securely install this product or the warning label attached, please seek professional help at your qualified motorcycle dealer or by calling SADDLEMEN at 310-638-1222

CAUTION:

Park the motorcycle on a hard, level surface and turn off the ignition before installation or securing any part of this product or items that might be attached to this product. To avoid injury, install while engine is cold.

Remember: Motorcycling can be a dangerous activity. Installation of any accessory can increase your risk if it is not installed properly. You are responsible to install this accessory so it will not contact any portion of the drive train, suspension or steering, and so it will in no way interfere with the operation of your motorcycle.

11-400468 L870-14 Saddlebag Chaps (Rev 05-21)

INSTALLATION:

Prior to installing the Saddlebag Lid Covers, you must first remove any accessory items, such as a rack, from the lid of the saddlebag. If removing accessories from the saddlebag, use care to not damage its painted surface.

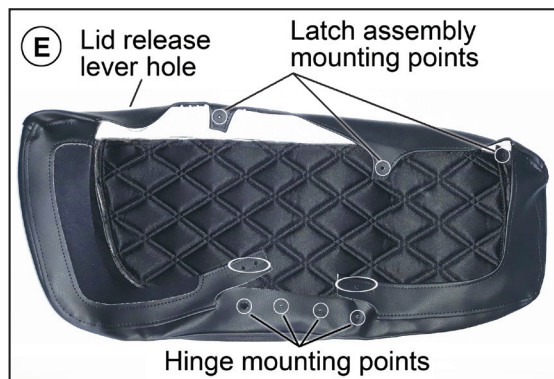
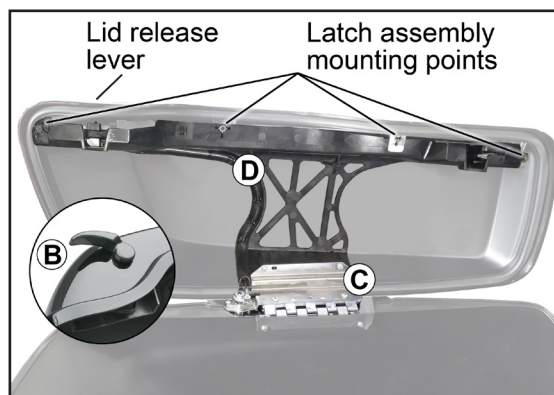
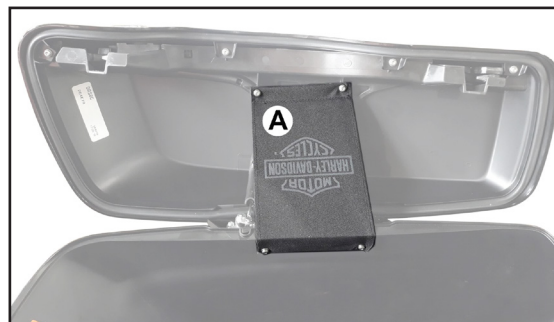
With all of the accessories removed from the saddlebag lid, clean and polish the painted surface of the lid.

NOTE: Do not mount the Lid Cover if there is dirt or debris on your saddlebag's lid. Dirt or debris left between the lid and the Lid Cover could damage the painted surface.

NOTE: Installation of the Saddlebag Lid Covers can be made easier by removing the saddlebags from the motorcycle.

TIP: Laying the Saddlebag Lid Covers out in the sun for ten or fifteen minutes will help warm up the vinyl and make it easier to get a smooth final result.

1. Open your motorcycle's saddlebag lid. Support the lid with a stool or a box, and a soft towel. You'll be disconnecting the lid and will need to protect it from falling or damaging the paint.
2. Remove the four fasteners that hold on the webbing (A).
3. Remove the saddlebag lid release lever (B) by undoing a single screw on the inside of the bag lid.
4. Detach the saddlebag lid from the hinge (C).
5. Remove all fasteners that hold the interior latch assembly (D) to the inside of the saddlebag lid. Pull out the latch assembly.
6. Lay the new Saddlebag Lid Cover over the top of the saddlebag lid, and wrap the edges around the saddlebag lid. The Lid Cover's mounting holes should line up with the same holes used to install the lid release lever, latch assembly and the hinge (E).
7. Sandwich the Lid Cover mounting points in between the saddlebag's lid and the latch assembly. Reinstall the latch assembly, hinge, and finally the lid release lever using the original fasteners.
8. Check to make sure the Lid Cover is on snug and wrinkle free. If necessary, loosen fasteners, adjust the Lid Cover, and retighten fasteners.



IMPORTANT:

Failure to install this accessory properly may cause it to become loose and contact the vehicle's moving parts. It is vital that you verify that the mounting of the Saddlebag Lid Covers is secure and that they cannot come loose or touch, and/or interfere with other components as the suspension moves through its entire stroke.

Be aware that the installation of the Saddlebag Lid Covers, or any other accessories, can affect the handling of your motorcycle. Pay attention as you ride your vehicle after installing new accessories as its handling characteristics may have changed.

After 50 miles (80 kilometers) of riding, recheck the security of the Saddlebag Lid Covers' mounting.

Inspect the Lid Covers and all other accessories before each ride. A loose lid cover can interfere with your vehicle's operation and cause an unsafe riding condition.

LIMITED WARRANTY POLICY

SADDLEMEN LIMITED ONE-YEAR WARRANTY Saddlemen warrants its products for defects in materials, design or workmanship for a period of one year after retail purchase. Items that are defective will be repaired or replaced by Saddlemen at its sole discretion. Damage caused by improper use or improper installation is not a defect; therefore repair, replacement or shipping of a damaged accessory will not be covered under this warranty. This limited warranty contains other provisions and conditions, so please refer to the Warranty Policy that was provided with your Saddlebag Lid Covers or visit www.saddlemen.com for additional information. You can count on Saddlemen's quality, innovation, service and style. If for any reason you are not satisfied with the performance of your Saddlebag Lid Covers, please contact the Saddlemen support line at (310) 638-1222.

11-400468 L870-14 Saddlebag Chaps (Rev 05-21)