



Owners Manual

S&S® T-Series Engines



DISCLAIMER:

S&S parts are designed for high performance, closed course, racing applications and are intended for the very experienced rider only. The installation of S&S parts may void or adversely affect your factory warranty. In addition such installation and use may violate certain federal, state, and local laws, rules and ordinances as well as other laws when used on motor vehicles used on public highways, especially in states where pollution laws may apply. Always check federal, state, and local laws before modifying your motorcycle. It is the sole and exclusive responsibility of the user to determine the suitability of the product for his or her use, and the user shall assume all legal, personal injury risk and liability and all other obligations, duties, and risks associated therewith.

The words Harley®, Harley-Davidson®, H-D®, Sportster®, Evolution®, and all H-D part numbers and model designations are used in reference only. S&S Cycle is not associated with Harley-Davidson, Inc.

SAFE INSTALLATION AND OPERATION RULES:

Before installing your new S&S part it is your responsibility to read and follow the installation and maintenance procedures in these instructions and follow the basic rules below for your personal safety.

- Gasoline is extremely flammable and explosive under certain conditions and toxic when breathed. Do not smoke. Perform installation in a well ventilated area away from open flames or sparks.
- If motorcycle has been running, wait until engine and exhaust pipes have cooled down to avoid getting burned before performing any installation steps.
- Before performing any installation steps disconnect battery to eliminate potential sparks and inadvertent engagement of starter while working on electrical components.
- Read instructions thoroughly and carefully so all procedures are completely understood before performing any installation steps. Contact S&S with any questions you may have if any steps are unclear or any abnormalities occur during installation or operation of motorcycle with a S&S part on it.

- Consult an appropriate service manual for your motorcycle for correct disassembly and reassembly procedures for any parts that need to be removed to facilitate installation.
- Use good judgment when performing installation and operating motorcycle. Good judgment begins with a clear head. Don't let alcohol, drugs or fatigue impair your judgment. Start installation when you are fresh.
- Be sure all federal, state and local laws are obeyed with the installation.
- For optimum performance and safety and to minimize potential damage to carb or other components, use all mounting hardware that is provided and follow all installation instructions.

Motorcycle exhaust fumes are toxic and poisonous and must not be breathed. Run motorcycle in a well ventilated area where fumes can dissipate.

WARRANTY:

All S&S parts are guaranteed to the original purchaser to be free of manufacturing defects in materials and workmanship for a period of twelve (12) months from the date of purchase. Merchandise that fails to conform to these conditions will be repaired or replaced at S&S's option if the parts are returned to us by the purchaser within the 12 month warranty period or within 10 days thereafter.

In the event warranty service is required, the original purchaser must call or write S&S immediately with the problem. Some problems can be rectified by a telephone call and need no further course of action.

A part that is suspect of being defective must not be replaced by a Dealer without prior authorization from S&S. If it is deemed necessary for S&S to make an evaluation to determine whether the part was defective, a return authorization number must be obtained from S&S. The parts must be packaged properly so as to not cause further damage and be returned prepaid to S&S with a copy of the original invoice of purchase and a detailed letter outlining the nature of the problem, how the part was used and the circumstances at the time of failure. If after an evaluation has been made by S&S and the part was found to be defective, repair, replacement, or refund will be granted.

ADDITIONAL WARRANTY PROVISIONS:

- (1) S&S shall have no obligation in the event an S&S part is modified by any other person or organization.
- (2) S&S shall have no obligation if an S&S part becomes defective in whole or in part as a result of improper installation, improper maintenance, improper use, abnormal operation, or any other misuse or mistreatment of the S&S part.
- (3) S&S shall not be liable for any consequential or incidental damages resulting from the failure of an S&S part, the breach of any warranties, the failure to deliver, delay in delivery, delivery in non-conforming condition, or for any other breach of contract or duty between S&S and a customer.
- (4) S&S parts are designed exclusively for use in Harley-Davidson® and other American v-twin motorcycles. S&S shall have no warranty or liability obligation if an S&S part is used in any other application.

NOTE

Installation and use of an S&S performance engine in a pollution controlled motorcycle used on public highways may be in violation of certain federal, state and local laws. Always check federal, state and local laws before modifying your motorcycle.

Table of Contents:

Introduction.....	2
Engine Installation.....	2
Oil Recommendations.....	2
Oil Line Hook up.....	2
Fuel Requirements.....	4
General Break-in Procedure.....	4
Tune Up Information.....	6
Fuel and Ignition Systems.....	6
Ignition Specifications.....	7
Starting.....	8
Super E & G Carburetor Tuning Guide.....	9
Engine Service Intervals.....	12
Engine Specifications.....	13
Engine Dimensions.....	14
S&S Service & Speed Center®.....	15
Torque Specifications.....	16
Specifications and Wear Limits.....	18

INTRODUCTION

The S&S® engine you have purchased is an air-cooled, v-twin. It is designed to offer Proven Performance® and reliability. Specifications for the T111, T124, T124LC, T124 TÜV, T143 engines are found in this manual. They are based on their current S&S production designs. Some changes may have been made over time as these engines have been in production for a number of years. The specifications in this manual are based on the most recent specifications.

ENGINE INSTALLATION

The procedure for installing an S&S engine is basically the same as outlined in the factory service manual for the model of motorcycle the engine is being installed in. However, S&S engines are sometimes taller than a stock engine so the installer must check to make sure there is adequate clearance between the engine and all chassis components including the frame and fuel tanks. An upgraded clutch should also be considered, since the S&S engine will produce more power than the stock engine it is replacing.

OIL RECOMMENDATIONS

S&S recommends synthetic engine oil such as S&S Premium Synthetic 20W50. However a premium petroleum based engine oil such as S&S Heavy Duty 20W50 or 25W60 is acceptable.

Regardless of what type of oil you select, be sure to use only oil specifically designated for use in an air-cooled motorcycle, and select the viscosity suggested for the temperature range you will be operating your motorcycle in.

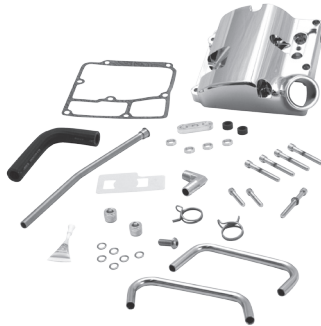
Viscosity	Ambient Temperature (°F)
SAE 20W50	Above 30°–100°
SAE 50	Above 60°–100°
SAE 25W60	Above 80°
SAE 60	Above 80°

The oil filter used on an S&S® T-Series engine should be rated at 10 microns. Spin-on filters should have an anti-drain back valve. S&S filters are available to replace Harley-Davidson® #63798-99A and 63731-99A. The S&S part numbers are 31-4104 Chrome and 31-4103 Black.

OIL LINE HOOK-UP

Installing an S&S T-Series Long Block engine in a stock Harley-Davidson® chassis requires an oil line kit to connect the engine with the oil tank. There are two oil line kits available for 1999-'06 big twins, one for 1999-'06 FLT models (#31-0425) and one for 1999-'05 Dyna® models (31-0424). All S&S T-Series T2 Long Block engines for 2007 and later chassis are intended for touring models only, and require oil line installation kit (#310-0435). There is also a special transmission drilling fixture (530-0006) available to simplify the installation of the oil line kit for 2007-later touring models. Oil line kits must be purchased separately. Follow the instructions included in each oil line kit.

Oil Line Kits for 1999-'06 Models



31-0424
1999-'05 Dyna®
Models



31-0425
1999-'06 FLT
Models

Oil Line Kit and Drilling Fixture for 2007-later Touring Models



310-0435 Oil Line
Kit for
2007-Later Touring
Models



530-0006 Drilling
Fixture Kit For
2007-Later Touring
Models

FUEL REQUIREMENTS

The gasoline used in your engine should have a US octane rating of 91 or higher. The United States uses the $\frac{R+M}{2}$ method of octane rating. In many countries outside the United States, the RON (Research Octane Number) is used, which will result in a higher octane requirement of about 96.

GENERAL BREAK-IN NOTES

- *Remember that these are air-cooled engines. Sufficient air movement is required to keep engine temperatures within safe operating limits.*
- *Avoid heavy traffic and congestion or extended idle periods whenever possible.*
- *S&S v-twin performance engines are designed for, and happiest when running between 2750-3500 at normal highway speeds.*
- *Today's heavier bikes and taller gearing can easily push a high performance engine into a lugging condition which increases loads on engine components, causes detonation, builds excessive heat, and increases fuel consumption. If the engine does not accelerate easily when given some throttle, downshift to a lower gear.*
- *S&S engines benefit from a warm-up period any time they are started, allow engine to reach operating temperature before being subjected to heavy loads or quick throttle revs.*

BREAK-IN OIL CONSIDERATIONS.

Either petroleum or synthetic oil designed for air-cooled v-twin engines can be used during the break-in period and during normal use. If preferred, petroleum oil can be used for the break-in period, after which, the engine can be changed over to synthetic oil.

BREAK-IN PROCEDURE

1. Initial start up. Run engine approximately one minute at 1250-1750 RPM. **DO NOT** crack throttle or subject to any loads during this period as head gaskets are susceptible to failure at this time. During this time, check to see that oil pressure is normal, that oil is returning the oil tank, and that no leaks exist.
2. Shut off engine and thoroughly check for any leaks or other problems. Let engine cool to the touch.
3. After engine has cooled, start up again and allow the motor to build some heat. Engine should be run no longer than three to four minutes. When the cylinders become warm/hot to the touch (approximately 150°F) shut the motor down and let it cool to room temp. Follow the same cautions as for the initial start-up, and continue to check for problems.
4. First 50 Miles:
 - a. Street: Ride normally, do not lug the engine. Avoid high heat conditions and vary the RPM while riding. No stop and go traffic, extended idle periods, or high load or high RPM conditions. Max of 3,500 RPM or 60 MPH.
 - b. Dyno: A chassis dynamometer can be used to put the first 50 miles on a new engine. See the notes and procedure below for chassis dyno break-in.

5. 50–100 Miles: Ride normally, do not lug the engine. Avoid high heat conditions, no stop and go traffic or extended idle periods. Limited short bursts of throttle can aid in ring seating from this point forward during the break-in, but avoid continuous high speed or load conditions. Max of 4,250 RPM/70 MPH.
6. 100–500 Miles: Avoid lugging the engine and high heat conditions. Max of 5,000 RPM. Change oil at 500 miles.
7. 500–1,000 miles: Ride bike normally, but avoid continuous high load operation and high heat conditions.
8. From 1,000 miles on: Break-in is complete, enjoy!

NOTES FOR COMPLETING INITIAL 50 MILE BREAK-IN AND INITIAL TUNING ON A CHASSIS DYNO

- *When running the bike on the dyno it is critical that engine temperatures are monitored, AFR is kept between 12.5–14.7 and the engine is not overheated. Fans must be used to keep the engine cool. When tuning under higher loads stop regularly and allow the engine to cool.*
- *A load must be placed on the engine to properly seat the rings. Running a new engine continually with no load will result in cylinder glazing and poor ring seal. The engine should be loaded to simulate close to the weight of the bike, a load of 10–15% on a Dyno jet 250i is usually sufficient. It is not recommended to use an inertia only dyno to break-in an engine as no load can be placed on the engine.*
- *Initial tuning on the engine can be completed during the initial 50 miles of dyno break-in. It is recommended the engine be run on the*

street for a minimum of 500 miles prior to completing tuning at full power. Monitor engine temperature during tuning to ensure the engine is not overheated.

DYNO BREAK-IN PROCEDURE (FIRST 50 MILES)

1. Follow the same procedure outlined above for initial start-up and heat cycling the engine.
2. Run the bike for 25 miles on the dyno under varying speeds and loads while going up and down through the gears. Keep engine RPM below 3,500 RPM but do not lug the engine. The dyno must be operated so the engine runs under a load roughly equal to the power needed to move the bike down the road, this would be about 12 hp at 55 MPH. Keep engine head temperatures below 200°F at the temp sensor or surface of the head. Stop and cool the engine if needed.
3. Allow the engine to cool down to room temperature.
4. Run the bike for 25 more miles (50 miles total) under varying speeds, loads, and gears as before. Make sure there is some load on the engine. Keep engine speed below 4,250 RPM but do not lug the engine. Limited short bursts of throttle can aid in ring seating as long as the calibration/tune keeps the AFR in control. Keep engine head temperatures below 225°F at the temp sensor or surface of the head.
5. After the first 50 miles on the dyno, it is recommended the normal break-in schedule be followed under normal riding conditions on the street. See Step 5 under **BREAK-IN PROCEDURE**.

TUNE UP INFORMATION

All S&S T-Series Long Block engines and complete engines come from the factory with Champion RA8HC 12mm long reach spark plugs (S&S PN 55-1320), gapped between .038- and .042-inch. If you are not using an S&S ignition system, refer to your ignition manufacturer for any additional recommendations.

FUEL AND IGNITION SYSTEMS

S&S T-Series Long Block engines are sold without a fuel or ignition system. Emissions compliant complete engines do include ignition and fuel systems.

Note: S&S T-Series emissions compliant engines are sold complete, and come from the factory with an S&S Super E or G carburetor and IST® ignition system, or an S&S throttle body and S&S VFI module. These engines must be run with the installed fuel and ignition systems in order to maintain emissions compliance.

Below are some recommendations for all engines except T143:

- S&S Super E and G carburetors and an after market ignition system are recommended for 1999-'06 carbureted engines.
- When selecting an after market ignition system for 1999-2000 carbureted models, look for a system, like the Dynatek® module, that does not require a cam position sensor.

- For 1999-'01 EFI applications with Magneti Marelli® EFI systems, except T143, the S&S Early EFI upgrade kit provides a programmable S&S VFI Module and an updated single bore throttle body and air cleaner.
- For 2001 and later non throttle by wire applications, with Delphi® EFI, S&S recommends an S&S throttle body kit and either the S&S VFI module or the Dyno Jet® Power Vision® tuner.
- An S&S Throttle Hog Throttle body and the Power Vision tuner are recommended for 2008 and later throttle by wire applications. Calibration files are available for free download on the S&S website at www.sscycle.com. Just click on the Technical Info tab.

Below are some recommendations T143 engines only:

- For 1999-'06 carbureted models, an after market ignition system and one of the special Super G or Super D carburetor kits are recommended.
- When selecting an after market ignition system for 1999-2000 carbureted models, look for a system, like the Dynatek® module, that does not require a cam position sensor.
- S&S offers 70mm cable actuated throttle body kits for all 2002-'05 fuel injected Dyna® models, and for 2002-'07 fuel injected touring models.
- A 70mm S&S Throttle Hog throttle body kit is available for 2008 and later touring models with electronic throttle control.

IGNITION SPECIFICATIONS

If you choose to install another ignition or fuel injection system, make sure that the total ignition advance is set according to the specifications in the following charts. If the ignition system has a rev limiter, make sure it is set no higher than 6200 rpm.

T111, 9.8:1 CR, 585 Cams							
	1000	2000	3000	4000	5000	6000	7000
WOT	10.0	18.0	25.0	26.0	27.0	27.0	27.0
Cruise	18.0	31.5	35.4	36.7	33.1	32.0	32.0
Idle/ Decel	16.0	26.0	37.0	37.0	37.0	37.0	37.0

T124, 10.8:1 CR, 640 Cams							
	1000	2000	3000	4000	5000	6000	7000
WOT	5.0	15.4	18.2	19.5	22.3	26.0	26.0
Cruise	16.0	25.0	34.1	34.0	31.7	30.0	30.0
Idle/ Decel	15.5	20.4	34.4	40.0	42.3	42.3	42.3

T124LC, 10.2:1 CR, 585 Cams							
	1000	2000	3000	4000	5000	6000	7000
WOT	9.0	15.3	17.7	20.2	23.2	24.5	24.5
Cruise	16.7	32.8	33.0	35.4	27.9	28.0	28.0
Idle/ Decel	16.0	28.2	37.0	37.0	37.0	37.0	37.0

T143, 10.5:1 CR, 635 Cams							
	1000	2000	3000	4000	5000	6000	7000
WOT	7.0	12.0	19.0	23.0	26.0	30.0	32.0
Cruise	17.0	27.0	32.0	33.0	33.0	34.0	35.0
Idle/ Decel	17.0	29.0	34.0	34.0	34.0	35.0	35.0

START-UP — ENGINES EQUIPPED WITH S&S SUPER E, G OR D CARBURETOR

1. S&S Super E, G, and D carburetors have a mixture enrichment/fast idle lever used to aide in cold starts and help during the warm-up period. Do not ride the motorcycle with the lever engaged.
2. Turn the fuel supply valve on, wait a moment to make sure the carburetor bowl is full.
3. Twist the throttle twice to prime the engine—starting in extremely cold weather may require additional priming. Skip this step for Super D carbs.
4. Pull the fast idle lever up, turn on the ignition and press the start button.
5. If the engine does not start after five seconds of cranking, shut the ignition off for 15 seconds to let the starter cool.
6. Open the throttle slightly and press the starter button again. It may be necessary to re-prime the engine. If the engine kicks back, the throttle may be opened too far.
7. Once the engine is running, use the fast idle lever to maintain the proper engine speed required during warm-up.
8. When the engine has warmed up enough to idle without the enrichment system, disengage the fast idle lever. The fast idle lever is not required to restart a hot engine.

START-UP – ENGINES EQUIPPED THE VARIABLE FUEL INJECTION (VFI)

1. Turn the ignition and kill switches on. Listen for the fuel pump as it pressurizes.
2. Do not twist the throttle open to prime the system.
3. Press the starter button and let engine crank over—do not twist the throttle. If the engine is extremely hard to start—hot or cold—contact the S&S® Tech Line or visit www.sscycle.com for the location of the closest VFI Tuning Center.

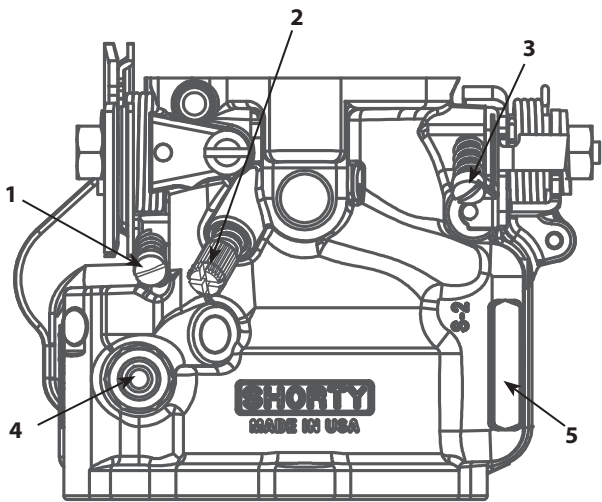
SUPER E & G CARBURETOR TUNING GUIDE

1. Verify carburetor is set to stock settings:
 - a. Idle mixture screw, 1¼ turns from lightly seated.
 - b. Idle speed screw, ½ turn clockwise from engagement point.
 - c. Accelerator adjustment screw, two turns counter-clockwise from seated.
2. Start bike, bring to operating temperature.
3. Set idle speed adjusting screw, clockwise to increase RPM, counter-clockwise to decrease RPM. Idle RPM range should be 950 to 1050 RPMs.
4. Adjust idle mixture by turning idle mixture screw slowly clockwise until the engine runs poorly. Note position. Slowly turn the screw counter-clockwise until it starts to stumble. Note position. Set the idle mixture screw halfway between the positions, or at the strongest idle. Inconsistent idle may indicate a manifold leak.
5. With engine idling, turn accelerator adjustment screw clockwise until it lightly seats. Snap throttle open—engine should stumble. Turn screw counter-clockwise ¼ or ½ of a turn at a time, until engine responds to throttle twist with smooth, quick response.
6. Ride motorcycle in various RPM ranges, and then try to maintain a consistent 40- to 50-MPH. If the engine has a flat spot, or is popping/sneezing in the air cleaner, it can indicate a lean condition. If you notice stumbling or sputtering, it can indicate a rich condition.
7. Low RPM operation is controlled by the intermediate jet (#11 on following page). If sneezing or popping is experienced below approximately 3000 RPMs the intermediate jet must be replaced with a larger sized (richer) jet. If the engine does not run smoothly at low speeds, fouls plugs, blows black smoke or gets bad gas mileage a smaller (leaner) intermediate jet needs to be installed. Always readjust the idle mixture (#2) and idle speed (#1) screws after making a jet change.
8. To test the main jet, do a roll-on from 50-MPH to 70-MPH in 3rd gear. If the engine backfires or breaks up in the carb, increase the main jet size .004". If the engine is flat or will not accelerate, decrease the main jet by .004".
9. Since 2004 S&S shorty carbs have been fitted with an adjustable main jet air bleed (#13). Changing this jet to a larger size will delay the signal to the main jet, therefore aiding with high speed tuning as described in step 8. This also aides with tuning an engine that is fitted with an exhaust system that is not intended for high performance. The air bleed uses main jets, the stock size is 40. If it needs to be changed the range is normally 50 to 60.
10. **NOTE:** *Drag or straight pipes, especially large diameter or long designs, can prevent you from obtaining optimum carburetor performance.*
11. If the S&S teardrop air cleaner is being replaced with an aftermarket air cleaner, be sure to remove the auxiliary bowl vent screw (#14). Never use a velocity stack on a street driven motorcycle! Poor throttle response will be experienced.
12. Always be sure to attach the hose to the overflow tube fitting (#6) and route it toward the back of the engine.

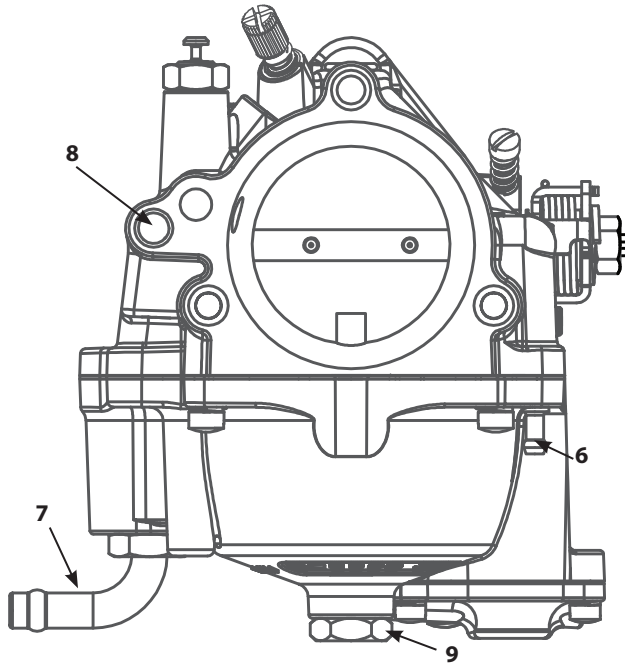
Approximate Jetting For S&S® Super E & G Carburetors

Displacement	883cc	74 – 88ci	96 – 107ci	111 – 124ci
Intermediate Jet	.265 – .028	.0295	.031	.031
Main Jet	.066	.072	.076	.078

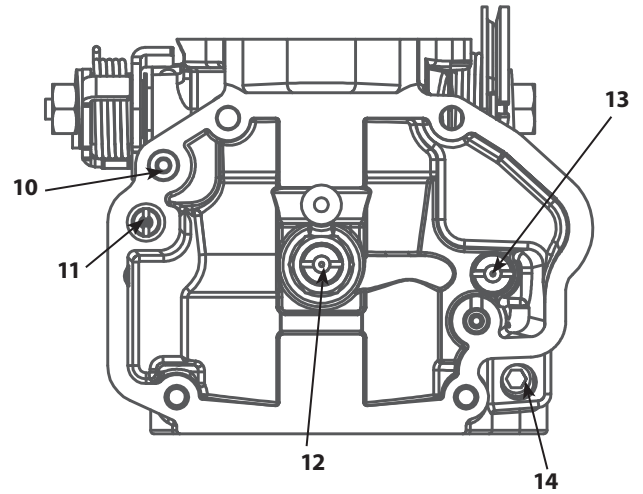
These jetting recommendations are a starting point only. Re-jet carb for best performance.



- 1- Idle Speed Screw
- 2- Idle Mixture Screw
- 3- Accelerator Pump Adjustment Screw
- 4- Enrichment Device
- 5- Serial Number



- 6- Overflow Tube Fitting
- 7- Fuel Inlet
- 8- Bowl Vent Hole
- 9- Bowl Plug



- 10- Accelerator Pump Pushrod
- 11- Intermediate Jet
- 12- Main Jet
- 13- Main Jet Air Bleed
- 14- Auxiliary Bowl Vent Plug

ENGINE SERVICE INTERVALS	
Item	Interval
Engine Oil & Filter	Change at 500, 2,500 miles (80, 800, 4,000 kilometers), every 2,500 miles (4,000 kilometers) thereafter ¹ .
Air Cleaner Element	Inspect at 500 miles (80 and 800 kilometers) and every 2,500 miles (4,000 kilometers) thereafter ² . Replace every 5,000 miles (8,000 kilometers).
Petcock, Lines, & Fittings, Vacuum Lines	Inspect at 50 and 500 miles (80 and 800 kilometers), every 2,500 miles (4,000 kilometers) thereafter.
Fuel Tank Filter Screen & In-Line Fuel Filter (If used)	Inspect every 5,000 miles (8,000 kilometers).
Engine Idle Speed	950-1,050 RPM. Adjust as required.
Operation of Throttle & Enrichment Device Controls	Inspect at 500 miles (800 kilometers) and every 2,500 miles (4,000 kilometers) thereafter.
Spark Plugs	Inspect every 5,000 miles (8,000 kilometers). Replace every 10,000 miles (16,000 kilometers) or as needed.
Engine Mounts	Inspect at 500 miles (800 kilometers) and every 5,000 miles (8,000 kilometers) thereafter.
External Fasteners Except Engine Head Bolts	Re-torque at 500 miles (800 kilometers) and every 5,000 miles (8,000 kilometers) thereafter.
<p><i>1- S&S recommends that petroleum-based oil not specifically formulated for motorcycles should be changed every 1,000 miles (1,600 kilometers) after the break-in period.</i></p> <p><i>2- Replace more frequently if required or if engine is operated in a dusty environment.</i></p>	

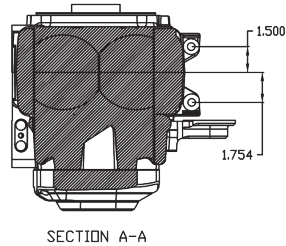
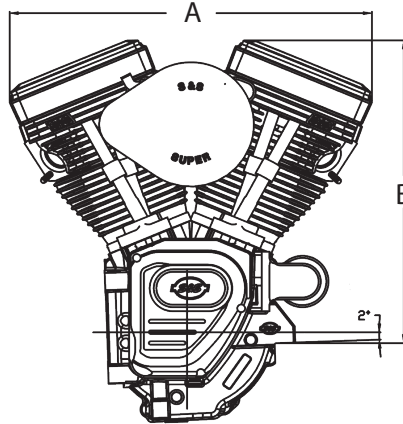
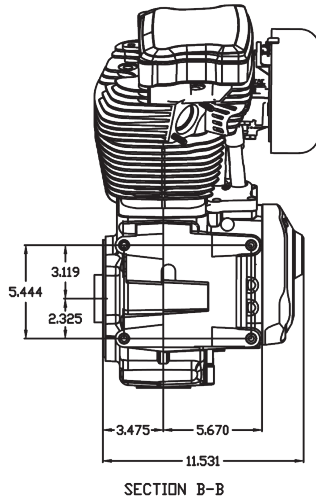
ENGINE SPECIFICATIONS

The following chart contains information about a number of S&S engines covered by this owners manual.

Engine	Displacement	Bore	Stroke	CR	Cam	Tappets	Fuel System	Ignition System
T111	111"	4 1/8"	4 5/8"	9.8:1	585	S&S Premium Hydraulic	None	None
T124	124"	4 1/8"	4 5/8"	10.8:1	640	S&S Premium Hydraulic	None	None
T124LC	124"	4 1/8"	4 5/8"	10.2:1	585	S&S Premium Hydraulic	None	None
T124 TÜV	124"	4 1/8"	4 5/8"	9.5:1	546GP	S&S Premium Hydraulic	Super G Carb Or S&S VFI	S&S IST® Or S&S VFI
T143	143"	4.425"	4 5/8"	10.5:1	635	S&S Premium Hydraulic	None	None

ENGINE DIMENSIONS

Some S&S engines are taller than stock engines. These diagrams show the dimensions of various S&S engines. This information will be most useful to customers building custom motorcycles with after market frames.

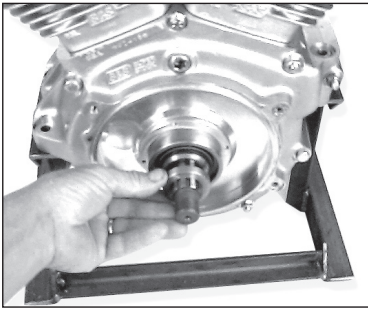


Engine	A	B
T111	17.341"	20.148"
T124	17.573"	20.340"
T124LC	17.573"	20.340"
T124 TÜV	17.649"	20.402"
T143	17.759"	20.493"



Nothing lasts forever, and despite the superior materials and design of the components in your S&S engine, some day it will need to be serviced. Who better to repair your engine, than the technicians at the company where it was made? To obtain factory service for your S&S engine, have your S&S dealer contact the S&S Service & Speed Center.

To find an S&S dealer in your area go to the S&S Dealer Locator at www.sscycle.com/dealer-locator



CHARGING SYSTEM NOTE - If you are going to use a 45 amp alternator you must install a S&S® spacer (PN 31-4033). If you do not use this spacer the rotor could bottom out against the case when the sprocket shaft nut is tightened.

IMPORTANT INFORMATION

- S&S engines are not recommended for inexperienced riders because the increased performance requires a higher level of riding skill.
- Do not lug your S&S engine. This is a high performance engine, designed to produce excellent horsepower at higher RPM. It is not well suited to pull heavy loads at low RPM. We recommend that the engine not be operated below 2500 RPM for extended periods of time. Shift to a lower gear to keep the engine speed up when traveling at lower speeds.
- Your S&S Engine is air cooled, which means that it depends on air moving across the cooling fins to keep it from over heating. Do not allow your engine to idle for extended periods of time. Avoid stop and go traffic or any other situation where the motorcycle is not moving while the engine is running.
- To avoid engine damage, do not operate the engine above 6200 RPM.

SERVICE SPECIFICATIONS FOR S&S ENGINES

For the most part if an S&S engine requires service, a qualified mechanic who services Harley-Davidson® engines can do the work. However the specifications for S&S engines are somewhat different. These charts are provided for reference. For more detailed information about any specific S&S component, installation instructions are available for free download from the S&S website www.sscycle.com.

TORQUE SPECIFICATIONS		
Item	Torque	Recommended
Rocker Box ¼"	100-120 in-lbs	Loctite® 243
Rocker Box ⅝"	18 ft-lbs	Loctite 243
Rocker arm support plate	15-18 ft-lbs	
Cylinder head bolts	8 ft-lbs, 18 ft-lbs, +90°	Oil threads
Cylinder studs	10 ft-lbs	Loctite 272
Crankcase fasteners	12-15 ft-lbs (¼), 18-20 ft-lbs (⅝)	
Piston oilers	25 in-lbs	Loctite 243
Tappet cover fasteners	90-120 in-lbs	Loctite 243
Pushrod locknuts	90-120 in-lbs	
Cam chest cover fasteners	120 in-lbs	Loctite 243
Intake manifold to head	16 ft-lbs	Loctite 243
Intake manifold to carb	18 ft-lbs	Loctite 243
Compression releases	32-37 ft-lbs	Anti-seize

Item	Torque	Recommended
Exhaust flange to head	18 ft-lbs	Anti-seize
Head temp sensor	10-12 ft-lbs	Anti-seize
Knock sensor	11 ft-lbs	Anti-seize
Crank position sensor	90-120 in-lbs	
Spark plug	11-18 ft-lbs	Anti-seize
Backplate to carb or throttle body	60-72 in-lbs	Loctite 243
Oil filter mount	90-120 in-lbs	Loctite 243
Oil line routing block	18 ft-lbs	Loctite 234
Oil filter to mount	½ to ¾ turn after gasket contact	
Rear cam nut	25 ft-lbs	
Pinion bolt	25 ft-lbs	Loctite 262
Oil pump 10 x 24 SHCS	60-75 in-lbs	
Oil pump ¼ - 20 FHCS	85-100 in-lbs	
Oil pump 10-24 FHCS	50-60 in-lbs	
Oil pump 10-24 cover plate screws	50-60 in-lbs	

TORQUE SPECIFICATIONS (CONTINUED)		
Item	Torque	Recommended
Front engine mount bolts	33-38 ft-lbs	
Engine to transmission	Step 1 - 15 ft-lbs Step 2 - 30-35 ft-lbs	See stock Service Manual for sequence.
Top engine mount to head	18-21 ft-lbs	Loctite 243
Inner primary to engine	18-21 ft-lbs	Loctite 243
Compensator nut	150-165 ft-lbs	Loctite 262
Idle control motor	24-30 in-lbs	Loctite 222
Air temp sensor	6-8 in-lbs	Loctite 222
Back plate to head bolts	8-12 ft-lbs	Loctite 243
MAP sensor	18-22 in-lbs	Loctite 222
Fuel rail to manifold	15-20 in-lbs	Loctite 222
Fuel supply tube to fuel rail	18-23 in-lbs	Loctite 222
Air cleaner cover	35-45 in-lbs	Loctite 243
Intake manifold to throttle body	35-40 in-lbs.	Loctite 243

CLEARANCE SPECIFICATIONS AND WEAR LIMITS			
DESCRIPTION		SPECIFICATION	LIMIT
ROCKER ARM	Shaft in bushing	.0007"-.0018"	.0035"
	Bushing fit in rocker arm (press fit)	.0012"-.0032"	< .0012"
	Rocker arm endplay	.001"-.012"	
CYLINDER HEAD	Valve to guide fit intake	.0012"-.0020"	.0035"
	Valve to guide fit exhaust	.0017"-.0025"	.0040"
	Valve guide in head (press fit)	.0015"-.0030"	<.0015"
	Valve seat in head (press fit)	.0050"-.0070"	<.0050"
	Seat width intake	.031"	.041"
	Seat width exhaust	.047"	.057"
	Chamber volume	91cc	
	Valve stem protrusion	2.045"-2.060"	2.080"
	Head gasket surface flatness		0.004"
	Head gasket composite	.048", compresses to .043"	

PISTONS & CYLINDERS	Fit in cylinder	.002"-.0026"	.0055"
	Compression ring gap	.017"-.026"	.030"
	Oil ring gap	.010"-.040"	.050"
CONNECTING RODS	Side play	.006"-.036	.040"
	Wristpin in rod	.0005"-.001"	.002"
	Crankpin running clearance	.001"-.0012"	.002"
FLYWHEELS	Run out at bearing	.0005"-.001"	.006"
	Timken endplay	.001"-.005"	.005"
	Pinion bearing to case (press fit)		0.0038"
	Pinion bearing fit	.0004"-.001"	.0015"
CAM CHEST	Camshaft in bushing	.0007"-.002"	.003"
	Camshaft endplay	.004" max	0.006"
	Pinion shaft in bushing	.0007"-.0020"	.0035"
	Idler gear bushing	.001"-.0023"	.0035"
	Cam chest return gear bushing	.001"-.0023"	.0035"
LIFTERS	Lifter fit in guide	.0008"-.0020"	.003"
OIL PRESSURE	Pressure relief plunger	.0008"-.0023"	.0023"



S&S[®] Cycle, Inc.

**14025 County Hwy G
Viola, WI 54664**

Phone: 608-627-1497 • Fax: 608-627-1488

Technical Service Phone: 608-627-TECH (8324)

Technical Service Email: sstech@sscycle.com

www.sscycle.com

510-0366

04/02/15

Copyright © 2015 by S&S[®] Cycle, Inc. All rights reserved. Printed in the U.S.A.