

Instruction 510-0453B

09-05-2019

Version 1

© 2016–2019

by S&S® Cycle, Inc.

All rights reserved.
Printed in the U.S.A.

S&S® Cycle, Inc.

14025 Cty Hwy G
Viola, Wisconsin 54664

Phone: 608-627-1497

Technical Service Phone: 608-627-TECH (8324)

Technical Service Email: sstech@sscycle.com

Website: www.sscycle.com



Installation Instructions: S&S Mk45 4½" Catalyst Mufflers For Mk45 Muffler Header Packages and El Dorado Exhaust Packages for 2007–'19 Harley-Davidson® Touring Models

MK45 Muffler Header Packages and El Dorado Exhaust Packages are exempt from emissions tampering regulations for the models indicated below under the applicable CARB Executive Order

CARB EO# K-010, K-010-1, & K-010-10

2007-2016 Harley-Davidson Touring Models equipped with 96", 103", or 110" engines, and 2017-2018 Harley-Davidson Touring Models equipped with 107", 114", or 117" engines.

SAFE INSTALLATION AND OPERATION RULES:

Before installing your new S&S part it is your responsibility to read and follow the installation and maintenance procedures in these instructions and follow the basic rules below for your personal safety.

- Gasoline is extremely flammable and explosive under certain conditions and toxic when breathed. Do not smoke. Perform installation in a well ventilated area away from open flames or sparks.
- If motorcycle has been running, wait until engine and exhaust pipes have cooled down to avoid getting burned before performing any installation steps.
- Before performing any installation steps disconnect battery to eliminate potential sparks and inadvertent engagement of starter while working on electrical components.
- Read instructions thoroughly and carefully so all procedures are completely understood before performing any installation steps. Contact S&S with any questions you may have if any steps are unclear or any abnormalities occur during installation or operation of motorcycle with a S&S part on it.
- Consult an appropriate service manual for your motorcycle for correct disassembly and reassembly procedures for any parts that need to be removed to facilitate installation.
- Use good judgment when performing installation and operating motorcycle. Good judgment begins with a clear head. Don't let alcohol, drugs or fatigue impair your judgment. Start installation when you are fresh.
- Be sure all federal, state and local laws are obeyed with the installation.
- For optimum performance and safety and to minimize potential damage to carb or other components, use all mounting hardware that is provided and follow all installation instructions.
- Motorcycle exhaust fumes are toxic and poisonous and must not be breathed. Run motorcycle in a well ventilated area where fumes can dissipate.

IMPORTANT NOTICE:

Statements in this instruction sheet preceded by the following words are of special significance.



WARNING

Means there is the possibility of injury to yourself or others.



CAUTION

Means there is the possibility of damage to the part or motorcycle.

NOTE

Other information of particular importance has been placed in italic type.

S&S recommends you take special notice of these items.

WARRANTY:

All S&S parts are guaranteed to the original purchaser to be free of manufacturing defects in materials and workmanship for a period of twelve (12) months from the date of purchase. Merchandise that fails to conform to these conditions will be repaired or replaced at S&S's option if the parts are returned to us by the purchaser within the 12 month warranty period or within 10 days thereafter.

In the event warranty service is required, the original purchaser must call or write S&S immediately with the problem. Some problems can be rectified by a telephone call and need no further course of action.

A part that is suspect of being defective must not be replaced by a Dealer without prior authorization from S&S. If it is deemed necessary for S&S to make an evaluation to determine whether the part was defective, a return authorization number must be obtained from S&S. The parts must be packaged properly so as to not cause further damage and be returned prepaid to S&S with a copy of the original invoice of purchase and a detailed letter outlining the nature of the problem, how the part was used and the circumstances at the time of failure. If after an evaluation has been made by S&S and the part was found to be defective, repair, replacement or refund will be granted.

ADDITIONAL WARRANTY PROVISIONS:

- (1) Please reference the Emissions Defects Warranty on the last page of this instruction sheet for complete details on your Emissions Defects Warranty coverage.
- (2) S&S shall have no obligation in the event an S&S part is modified by any other person or organization.
- (4) S&S shall have no obligation if an S&S part becomes defective in whole or in part as a result of improper installation, improper maintenance, improper use, abnormal operation, or any other misuse or mistreatment of the S&S part.
- (4) S&S shall not be liable for any consequential or incidental damages resulting from the failure of an S&S part, the breach of any warranties, the failure to deliver, delay in delivery, delivery in non-conforming condition, or for any other breach of contract or duty between S&S and a customer.

Introduction

Congratulations on purchasing a MK45 Muffler & Header Package, or El Dorado Exhaust Package. For exhaust pipe installation, please reference the instruction sheet included with the Power Tune Duals header box.

Installation Steps

1. Tools Required:

- ½" and ⅝" Combination Wrench
- ⅜" Drive Ratchet with 4" Extension
- ½" Standard Socket
- ⅝" Deep Well Socket
- 15mm Socket

2. Removal of Stock Mufflers:

Remove the saddlebags and set aside

- a. Loosen the muffler clamps on the front of each muffler.
- b. Remove and discard the ⅝" bolts that secure the mufflers to the saddle bag supports. New fasteners are included in the hardware kit.
- c. Remove the stock mufflers. The application of penetrating oil on the muffler/header pipe joint and a slight rocking motion will allow for easier muffler removal. Remove and discard the stock muffler clamps.

3. S&S Muffler Installation:

- a. Identify the right and left mufflers. MK45 mufflers have axle nut clearance dimples in both mufflers. When the muffler is installed, the clearance dimple always goes to the inside, toward the axle.
- b. Apply Anti-seize to the threads of the new muffler clamps, included in the hardware pack, and install the clamps onto the mufflers. The nut of the clamp should be on the inside of the muffler and facing down.

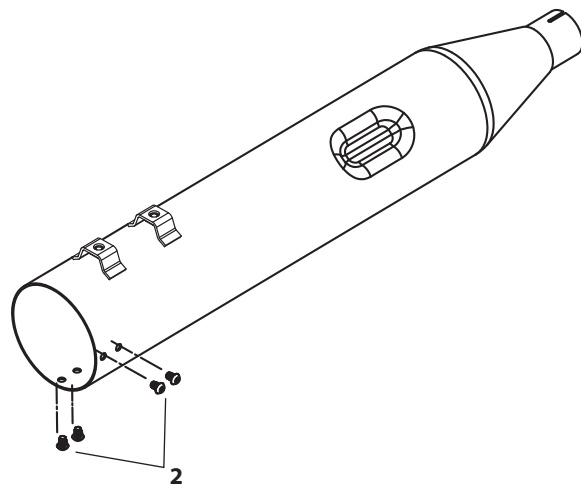
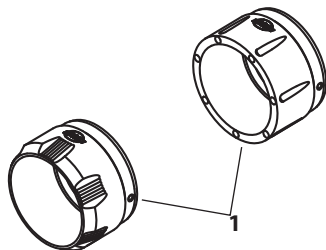
- c. Slide each muffler onto the correct header pipe. If there are burrs on the pipe, removing them with a file or emery cloth will make muffler installation easier.
- d. Attach rear muffler hanger tabs to mufflers with ⅝" bolts and washers from the hardware kit, and tighten to 18 ft-lb.
- e. Make sure the mufflers are aligned vertically and that the ends are even. Tighten the muffler clamps to 40-44 ft-lb.
- f. Thoroughly clean the mufflers and exhaust system before starting the motorcycle. Any oil residue or finger prints on the chrome will cause permanent stains once the system heats up.
- g. Re-install the saddle bags.
- h. After the first test ride and after the bike has cooled down, re-check torque of the muffler clamps.

HELPFUL HINTS TO MAINTAIN FINISH OF EXHAUST PIPES AND MUFFLERS

- Air filters must be serviced at regular intervals.
- Intake air leaks can cause engine to run lean and overheat, and thus discolor pipes.
- Make sure there are no exhaust leaks at the junction of the cylinder head and the exhaust pipe.
- Avoid long periods of idling.
- Avoid the use of pressure washers, harsh chemicals or abrasive cleaners. If water gets into muffler during washing, remove moisture to prevent corrosion. Start engine to warm up exhaust system.

Replacement Parts for S&S Mk45 4½" Mufflers

1. End cap
 - Thruster Highlight Machined **550-0629A**
 - Tracer Highlight Machined..... **550-0632A**
 - Tracer Chrome..... **550-0636A**
2. Button head cap screw, Stainless, ¼"-20 x ⅜" **500-0441**
3. Hardware kit, muffler clamps and screws (N/S)..... **551-0027**



EMISSIONS DEFECTS WARRANTY

The following is an explanation of the emission defects warranty on your new catalyst exhaust system or component. New aftermarket catalyst equipped exhaust components or systems must be designed, built, and equipped to meet stringent emissions standards. S&S must warrant the aftermarket catalyst equipped exhaust components or systems to meet these applicable requirements for the period of time listed below, provided there has been no abuse, neglect, or improper modification of your engine.

EMISSIONS DEFECTS WARRANTY COVERAGE

If this S&S aftermarket catalyst equipped exhaust is installed on a motorcycle within four years of the date that the motorcycle was first acquired by an ultimate purchaser, the emission defects warranty period is five (5) years or 30,000 kilometers (18,641 miles), whichever first occurs.

If this S&S aftermarket catalyst equipped exhaust is installed on a motorcycle more than four years after the date that the motorcycle was first acquired by an ultimate purchaser, the emissions defects warranty period is three (3) years or 15,000 kilometers (9,321 miles), whichever first occurs.

If an emission critical part on your exhaust has been deemed by S&S to be defective, or have damaged an original part of the motorcycle, the part will be repaired or replaced by S&S. This is your EMISSIONS DEFECTS WARRANTY.

WHAT IS COVERED BY THIS EMISSION DEFECTS WARRANTY

The Emission Defects Warranty covers the following "warranted parts" only:

- Original equipment of the exhaust system or component purchased (void if tampered with or not in the original equipment configuration)
- If used on the above: clamps, tubing, sealing gaskets, and mounting hardware.

WHAT IS NOT COVERED BY THIS EMISSION DEFECTS WARRANTY

The following items are not covered by the S&S Cycle, Inc. Emission Defects Warranty:

- Malfunctions in any "warranted parts" caused by any of the following: abuse, misuse, unapproved modification or alteration, tampering, disconnection, or improper maintenance.
- Malfunctions when used with an engine that has been rendered emission non-compliant.
- Discoloration or other cosmetic defects.
- Repairs improperly performed or replacements improperly installed.
- Use in competitive racing or related events.
- Damage resulting from accident, acts of nature, or other events beyond the control of S&S.
- Repairs and services performed by anyone other than an authorized S&S dealer (except in the case of emergency as defined above).
- Loss of time, inconvenience, loss of use of the engine and donor vehicle, towing of the vehicle, or commercial loss and/or consequential damages.

OWNER'S WARRANTY RESPONSIBILITIES

You are responsible for ensuring instructions on the included warranty card are followed and the requested information is returned to S&S. Failure to provide this information could result in a delay of warranty coverage. S&S recommends that you retain all receipts covering purchase and installation of your catalyst equipped exhaust component.

You are responsible for presenting your motorcycle to an S&S dealer as soon as a problem exists. The warranty repairs should be completed in a reasonable amount of time, not to exceed 30 days.

You should be aware that S&S may deny your warranty coverage if a part has failed due to abuse, neglect, or unapproved modifications to the exhaust or engine.

If you have any questions regarding your warranty rights and responsibilities, you should contact S&S Cycle, Inc., 14025 Cty Hwy G, Viola, WI 54664 or the California Air Resources Board, P.O. Box 8001, 9528 Telstar Avenue, El Monte CA, 91734-8001

ADDITIONAL WARRANTY TERMS

The warranty period begins on the date the exhaust is delivered to the ultimate purchaser, or on the date it is first installed.

S&S recommends that you go only to an authorized S&S dealer for repairs under this warranty. He/she has factory-trained mechanics and genuine S&S parts. However, in the case of an "emergency" (as define below), you could have repairs performed at any available service establishment or by the owner. An authorized S&S dealer not being reasonably available, or a part not being available within a reasonable time period (not to exceed 30 days from the time the motorcycle is initially presented to an S&S dealer for repair) constitutes an emergency. S&S will reimburse the owner for such repairs, including diagnosis, only if it is established that the repairs are covered under this emission warranty. S&S's parts reimbursement, however, will not exceed our suggested retail price for all warranted parts replaced and our labor reimbursement will be limited to our recommended time allowances for emission system repairs at the geographically appropriate hourly labor rate. To obtain reimbursement from S&S for such emergency repairs, you must keep all failed parts and original receipts, so you can present them to an authorized S&S dealer for his inspection. S&S recommends that you bring your vehicle to an authorized dealer for inspection to ensure that the emergency repairs were done properly.

The use of non-S&S replacement or approved aftermarket parts does not invalidate the existing warranty, if any, on this or other S&S components unless the non-S&S parts cause damage to warranted parts or result in the creation of an emission non-compliant vehicle. However, S&S ASSUMES NO LIABILITY UNDER THIS WARRANTY WITH RESPECT TO ANY PARTS WHICH ARE NOT GENUINE S&S PARTS, unless genuine S&S parts cause damage to non-genuine S&S parts.