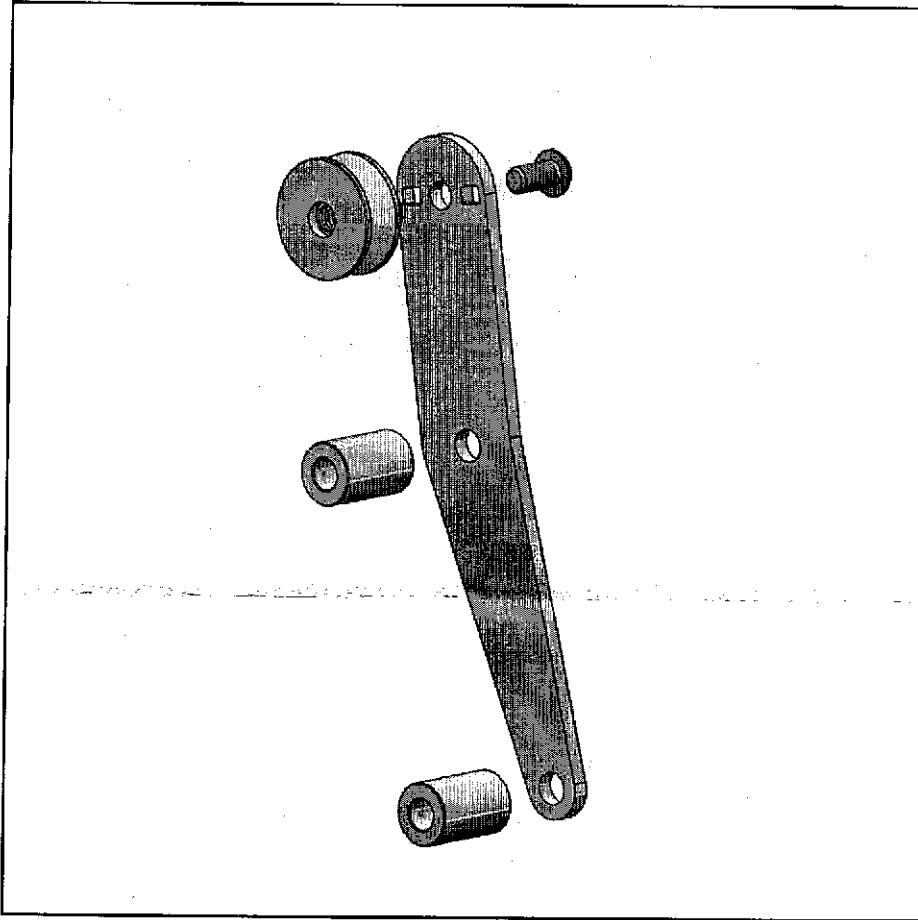




Installation Instructions



Saddle Bag Support Mount Kit

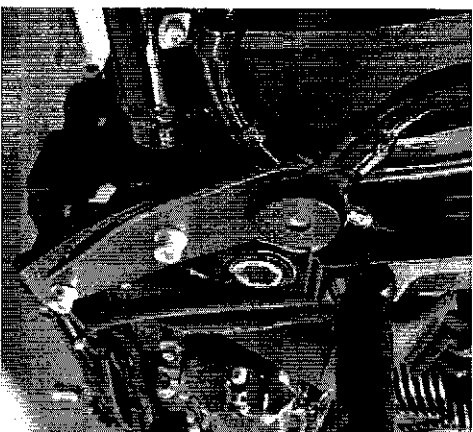
100-74684: For 2018-up H-D Softail ® Sport Glide, Heritage Classic or Deluxe with optional Saddle Bag Kit Running the Supertrapp Fatshots 2:1 or Kerker Bootlegger.

(NOTE: This bracket may be used as a universal mount. Suitability for use on applications other than the ones listed above is the sole responsibility of the buyer.)

INSTALLATION:

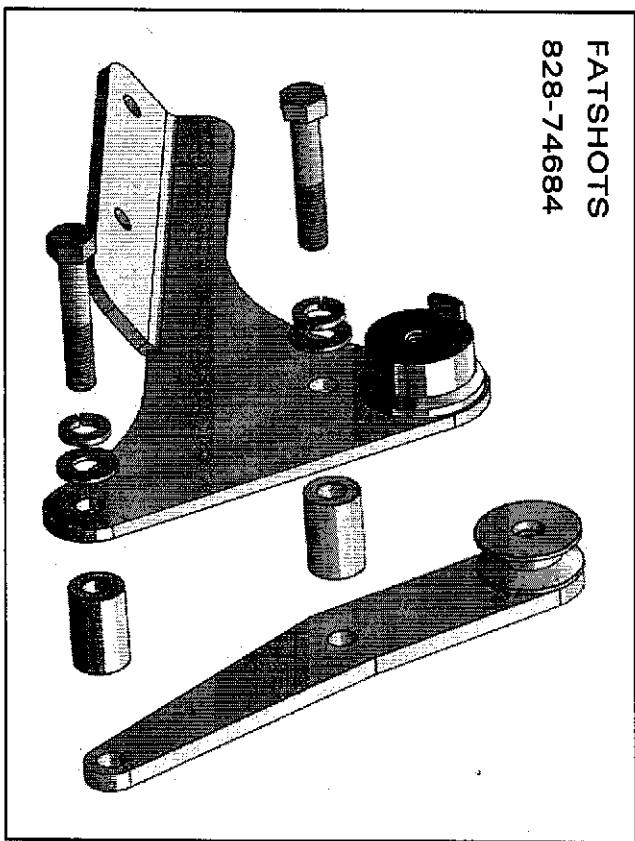
1. Remove the saddlebag support grommet from the factory exhaust mount bracket. The stock screw will not be used with our bracket.
2. Install the stock saddlebag support grommet on the new support bracket as shown in the diagrams on the next page. Use the 5/16-18 x 5/8" button head screw supplied in the hardware kit and tighten in place. (We recommend using a small amount of Loctite 242 Threadlocker or equivalent on this fastener.)
3. Using these instructions in conjunction with the instructions from the Fatshots or Bootlegger system, install the mount bracket according to narrow tire model directions. The new saddle bag support bracket will sit against the frame, followed by the .95" long aluminum spacers supplied in this kit (Reference the diagrams on the next page). *NOTE: The spacers in this kit REPLACE the spacers from the full system hardware kit. Tighten the bolts to manufacturers specifications.*
4. Complete your installation following the instructions supplied with the full system.

IMPORTANT: CHECK AND RETIGHTEN ALL FASTENERS AFTER THE FIRST RIDE. RECHECK AT EACH SCHEDULED MAINTENANCE.



NOTE: This bracket may be used as a universal support for other types of exhaust systems. Suitability for these applications is at the owners discretion. Use Loctite 242 or equivalent on screws used to secure the bracket.

FATSHOTS
828-74684



BOOTLEGGER
135-71670

