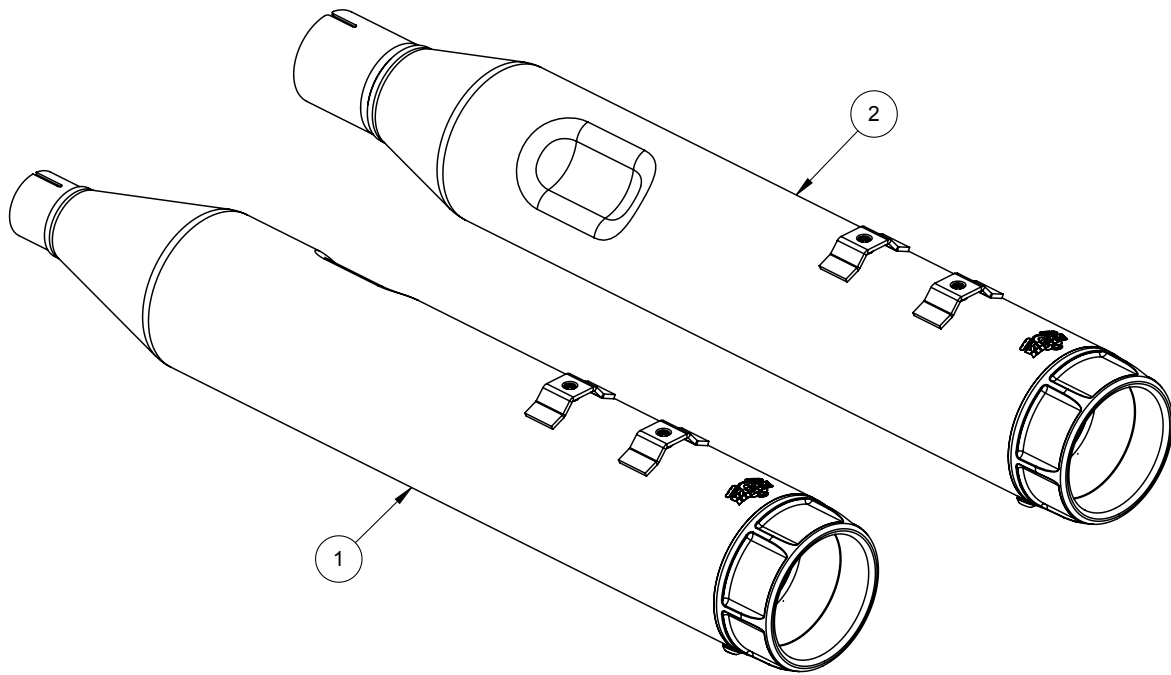


Congratulations, you have purchased the finest exhaust system available for your motorcycle. Your Vance & Hines exhaust is designed and crafted for performance, quality, and style. Please follow the instructions below, check exhaust system for missing or damaged parts and if you need any assistance please contact our technical support line (562) 921-7461.

Fits 2017 and later Harley-Davidson Touring Models*

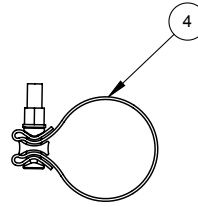
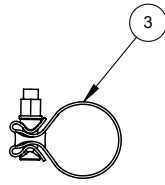
FOR CLOSED COURSE COMPETITION USE ONLY. NOT INTENDED FOR STREET USE.

*Qualified Manufacturer Declared Replacement Part for 2017 and later Harley Davidson Touring Models.

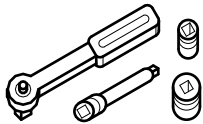


NO.	PART NO.	Description	
1	D931RP1-S	LEFT MUFFLER	1
2	D932RP1-S	RIGHT MUFFLER	1
3	A335HW	1.88" BAND CLAMP	1
4	A337HW	2.625" BAND CLAMP	1

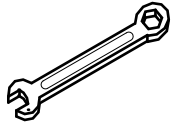
HARDWARE



TOOLS REQUIRED



TORQUE WRENCH
DRIVE RATCHET WITH 3" EXTENSION
1/2" SOCKET
9/16", 15mm DEEP SOCKET



1/2", 9/16" WRENCH

STOCK EXHAUST SYSTEM REMOVAL

1. Remove both saddlebags and set them aside.
2. Loosen the bolt from the pinch clamp on the front end of each muffler.
3. Working with one muffler at a time, support the muffler (assistance may be required) while removing the 5/16" bolts from the saddlebag support and slide muffler off of the head pipe.
4. Repeat the process for the opposite muffler. **NOTE:** It may be necessary to use a penetrating lubricant to loosen the muffler from the head pipe.

VANCE & HINES EXHAUST INSTALLATION

1. Install the Torca clamps over the front of each muffler inlet so that the bolt is to the inside and the nut is facing down.
2. Slide right side muffler on. **Note:** Dent will be on the inside.
3. Install the stock bolts and washers through the mounting bracket to the muffler. Finger tighten only.
4. Repeat installation procedure for the opposite muffler.
5. Align mufflers bodies then torque the band clamps to 40-44 ft. lbs. Torque the bolts to 18 ft. lbs.
6. Replace the saddlebags.
7. After installation and before starting motorcycle, completely clean pipes and mufflers with soapy water and a clean, soft cloth that will not leave residue. **NOTE:** Any residue, oil, or fingerprints will stain the finish when the metal heats up.
8. Be sure to tighten all hardware before starting your motorcycle.
9. **IMPORTANT:** AFTER TEST RIDE LET PIPES COOL DOWN AND RE-TORQUE MUFFLER BAND CLAMP.

EXHAUST CARE (BLACK)

1. When installing a new set of black pipes, make sure your hands are clean and free of oil. After installation, thoroughly clean pipes with warm soapy water and a soft cloth. Dry with a clean towel to remove any residue before starting the motorcycle. Do NOT use anything abrasive to clean pipes.
2. Avoid long periods of idling as this can cause discoloration.
3. Intake leaks can cause the engine to run lean and overheat, this could lead to discoloration.
4. Make sure there are no exhaust leaks at the junction of the exhaust pipes and cylinder head. We recommend replacing gaskets if they are worn.

Emissions Notice:

In California, in order to meet Air Resources Board emissions requirements, certain aftermarket part applications have been identified as replacements, and others have received ARB Executive Orders. All other emissions related aftermarket parts are for competition use only. A list of replacement parts and EO parts, and corresponding fitment is provided at vanceandhines.com/California.

Warranty:

All Vance & Hines products are warranted against defects in material and workmanship for a period of 90 days. This warranty does not cover discoloration or rust. This warranty shall be limited to the repair or replacement of the product, which may be proven defective under normal use. Vance & Hines will not warranty any system that has been abused, misused, improperly installed or modified.

Dealers or distributors are not authorized to make dispositions binding upon Vance & Hines. Vance & Hines will not be responsible for any labor charges incurred in removing or replacing any system under warranty. A return authorization number and a copy of the original purchase invoice must accompany all returns. Parts returned without a return authorization may be refused.

13861 ROSECRANS AVENUE / SANTA FE SPRINGS, CA 90670
SALES: (562) 921-5388
TECHNICAL: (562) 926-5291
FAX: (562) 802-0110

vanceandhines
.com