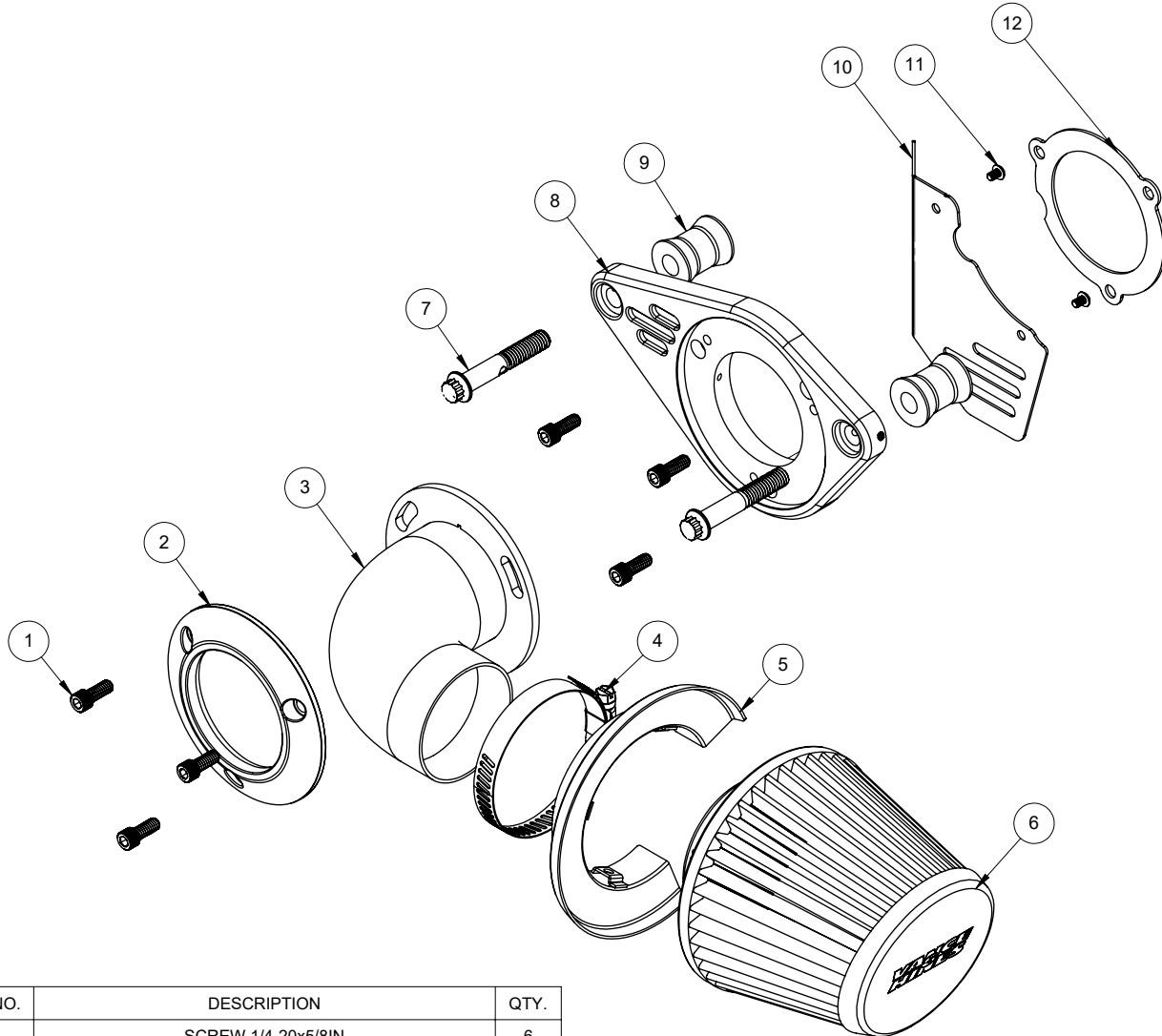


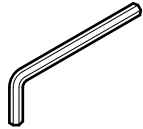
Congratulations, you have purchased the finest air intake available for your motorcycle. Your Vance & Hines air intake is designed and crafted for performance, quality, and style. Please follow the instructions below, check the air intake system for missing or damaged parts and if you need any assistance please contact our technical support line (562) 921-7461.

Exempt from emissions tampering regulations under CARB EO# D-632-6 for 2017-2022 Harley-Davidson Touring models and 2018 - 2022 Harley-Davidson Softail models.

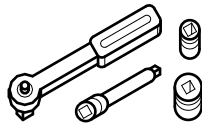


ITEM NO.	DESCRIPTION	QTY.
1	SCREW 1/4-20x5/8IN	6
2	COVER RING	1
3	90 DEGREE TUBE	1
4	HOSE CLAMP	1
5	AIR FILTER BASE	1
6	AIR FILTER	1
7	12 POINT BREATHER BOLTS	2
8	AIR INTAKE SPACER	1
9	AIR FILTER STAND OFFS	2
10	THROTTLE BODY COVER	1
11	M4 X 6 MM SCREW	2
12	THROTTLE BODY GASKET	1

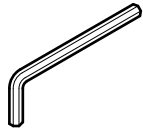
TOOLS REQUIRED



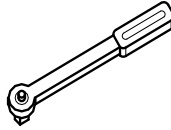
T27 Torx Wrench



**1/4" or 3/8" Drive Ratchet
7/16", 7mm Hex Socket
3/8" 12 Point Socket**

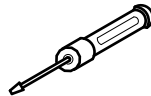


**Allen Wrenches: 5mm,
3/16" and 5/16"**



**Inch-Pound Torque
Wrench**

Loctite 243 (blue)



**Phillips Screwdriver
7mm Nut Driver**

OEM SYSTEM REMOVAL

1. Take off the OE air filter cover by removing the 5/16" x 1/2" OE button head cap screw in the center or the 5 1/4" Torx head screws around the outside of the cover. On some models the cap screw may be covered by a vanity cover. Carefully pull this cover off that is held on by velcrow.
2. This will expose the filter element, which is then removed by taking out the three Torx head cap screws.
3. Remove the breather hoses from the cylinder head breather bolts by gently pulling on them.
4. Now remove the backing plate and gasket by unbolting the cylinder head breather bolts. Be sure that the surface is clean and dry.
5. Remove Induction Module Support bracket if equipped.



V&H AIR INTAKE INSTALLATION

1. For a clear understanding of this installation, it is best to refer to the exploded view diagram while reading these instructions.
2. Using three 1/4-20 x 5/8" screws (1), sandwich the throttle body gasket (12) in between the throttle body on the motorcycle and the air intake spacer (8). NOTE: DO NOT FULLY TIGHTEN THE 1/4-20 X 5/8" SCREWS, YOU WILL NEED TO HAVE THEM LOOSE TO FIT THE STANDOFFS LATER.
3. Install the standoffs (9) between the throttle body and the air intake spacer. Use the 12 point breather bolts (7) at 22-24 ft/lbs to secure the standoffs in place. Then fully tighten the three 1/4-20 x 5/8" screws (1). See Figure 1 below.
Note: Standoffs are symmetrical and can be installed in either direction.



Figure 1

4. Slide the cover ring (2) on the 90 degree tube (3). Then use the three 1/4-20 x 5/8" screws (1) to mount the cover ring (2) and the 90 degree tube (3) onto the air intake spacer (8). Fully tighten the screws while aligning the 90 degree tube (3) parallel with the ground. See Figure 2 below.



Figure 2

5. Install the hose clamp **(4)** through the clips of the air filter base **(5)**, clamp should be to the inside with head facing down for access. NOTE: Gently, use a flat head screw driver to slightly pry open the clips on the air filter base **(5)** to allow the hose clamp to go through as needed.
6. Install the air filter base **(5)** and hose clamp **(4)** onto the base of the air filter **(6)**.
7. Install air filter **(6)** on to the 90 degree tube. Clock the air filter **(6)** and the air filter base **(5)** as shown in Figure 5. Tighten hose clamp until the air filter **(6)** is secure from sliding off the 90 degree tube **(3)**. Do not overtighten.



Figure 3

Emissions Notice:

In California, in order to meet Air Resources Board emissions requirements, certain aftermarket part applications have been identified as replacements, and others have received ARB Executive Orders. All other emissions related aftermarket parts are for competition use only. A list of replacement parts and EO parts, and corresponding fitment is provided at vanceandhines.com/California.

Warranty:

All Vance & Hines products are warranted against defects in material and workmanship for a period of 90 days. This warranty does not cover discoloration or rust. This warranty shall be limited to the repair or replacement of the product, which may be proven defective under normal use. Vance & Hines will not warranty any system that has been abused, misused, improperly installed or modified.

Dealers or distributors are not authorized to make dispositions binding upon Vance & Hines. Vance & Hines will not be responsible for any labor charges incurred in removing or replacing any system under warranty. A return authorization number and a copy of the original purchase invoice must accompany all returns. Parts returned without a return authorization may be refused.

13861 ROSECRANS AVENUE / SANTA FE SPRINGS, CA 90670
SALES: (562) 921-5388
TECHNICAL: (562) 926-5291
FAX: (562) 802-0110

vanceandhines
.com