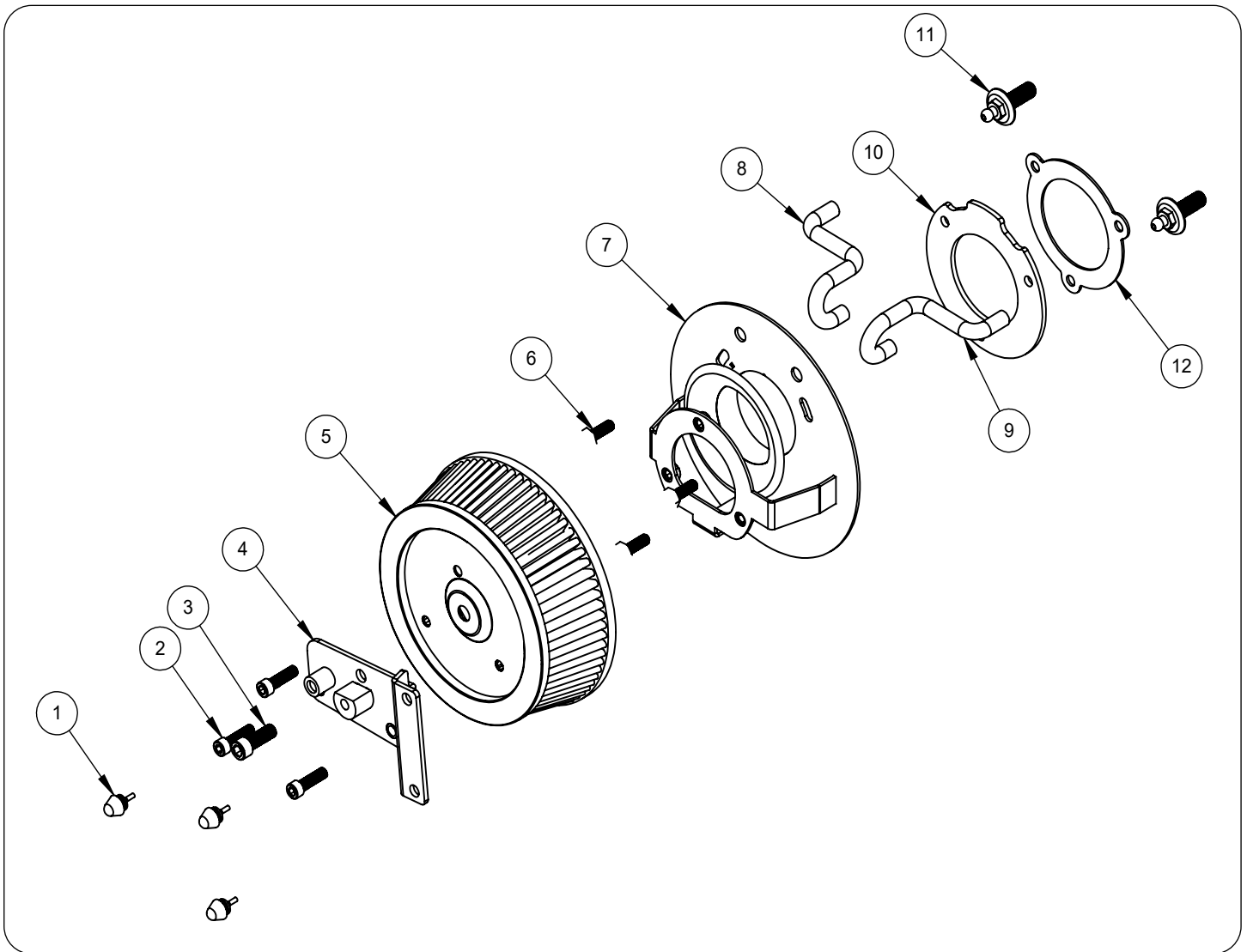




INSTALLATION INSTRUCTIONS: HARLEY-DAVIDSON 14-16 TOURING VO2 **NAKED** AIR INTAKE PART# 71329

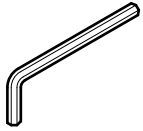
Congratulations, you have purchased the finest air intake available for your motorcycle. Your Vance & Hines air intake is designed and crafted for performance, quality and style. Please follow the instructions below, check exhaust system for missing or damaged parts and if you need any assistance please contact our technical support line (562) 921-7461.



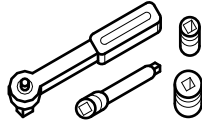
PARTS LIST

NO.	Description	Qty.			
1	Rubber Bumper	3	7	Venturi Backing Plate	1
2	1/4-20 x 7/8" SHCS	3	8	Rear Breather Vent Tube	1
3	5/16-18 x 7/8" SHCS	1	9	Front Breather Vent Tube	1
4	Filter Mounting Bracket	1	10	Stiffening Plate	1
5	Air Filter	1	11	3/8-16 Breather Bolt	2
6	1/4-20 x 3/4" Hex Head Screw	3	12	Throttle Body Gasket	1

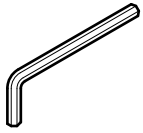
TOOLS REQUIRED



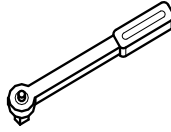
T27 Torx Wrench



**1/4" or 3/8" Drive Ratchet
7/16" Hex Socket
7/16" Open End Wrench**

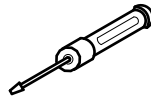


**Allen Wrenches: 1/4"
and 5/16"**



**Inch-Pound Torque
Wrench**

Loctite 243 (blue)



Phillips Screwdriver

OEM SYSTEM REMOVAL

1. Take off the air filter cover by removing the 5/16"-18 x 1/2" OE button head cap screw in the center.
2. This will expose the filter element, which is then removed by taking out the three Torx head cap screws.
3. Also remove the breather hoses from the cylinder head breather bolts by pulling on them.
4. Remove the three bolts that secure the backing plate to the carburetor / throttle body and the two breather bolts that secure it to the cylinder heads.
5. Now remove the backing plate and gasket, on FI models the wiring mount clip should be carefully pulled out of the plastic housing. **NOTE:** Be sure that the gasket surface is clean and dry and that no gasket material remains stuck to it.

V&H AIR INTAKE INSTALLATION

1. For a clear understanding of this installation, it is best to refer to the exploded view diagram while reading these instructions.
2. When installing or servicing the air cleaner, apply Loctite 243 (blue) to the threads of all the fasteners.
3. Install the two cylinder head breather bolts (7) and tighten to 120-144 in-lbs (13.6-16.3 Nm).
4. Install the rear and front breather hoses (5) & (6) through the top two holes in the venturi backing plate (4), aligned as shown.
5. Using the three 1/4"-20 x 3/4" hex head screws (3) sandwich the the venturi backing plate (4), with the breather hoses (5&6), the stiffening plate (8), gasket (9) and install onto the throttle body. Make sure the inside edges of all of these parts are aligned before tightening to 55-60 in-lbs. (6.2-6.8 Nm).
6. Install the cover mounting bracket (4) onto the air filter (5) with the 5/16"-18 x 7/8" SCHS (3).
7. Using the three 1/4"-20 x 7/8" socket head cap screws, (10) install the air filter (5) with the cover mounting bracket (4) and torque to 55-60 in-lbs (6.2-6.8 Nm). **See Photo**
8. Fit the round head stem bumpers (1) to the post in the bottom left corner and to the two holes on the far right side of the cover mount bracket (4).
9. Align the OE cover so that it locks into place with the rubber bumpers. Feed the 5/16"-18 x 1/2" OE button head cap screw through the OE Air cover and into the cover mount bracket.
10. After 100 miles check to be sure that all bolts are still tight. Periodically ensure that these screws remain tight.



Emissions Notice:

In California, in order to meet Air Resources Board emissions requirements, certain aftermarket part applications have been identified as replacements, and others have received ARB Executive Orders. All other emissions related aftermarket parts are for competition use only. A list of replacement parts and EO parts, and corresponding fitment is provided at vanceandhines.com/california.

Warranty:

All Vance & Hines products are warranted against defects in material and workmanship for a period of 90 days. This warranty does not cover discoloration or rust. This warranty shall be limited to the repair or replacement of the product, which may be proven defective under normal use. Vance & Hines will not warranty any system that has been abused, misused, improperly installed or modified.

Dealers or distributors are not authorized to make dispositions binding upon Vance & Hines. Vance & Hines will not be responsible for any labor charges incurred in removing or replacing any system under warranty. A return authorization number and a copy of the original purchase invoice must accompany all returns. Parts returned without a return authorization may be refused.

13861 ROSECRANS AVENUE / SANTA FE SPRINGS, CA 90670

SALES: (562) 921-5388
TECHNICAL: (562) 926-5291
FAX: (562) 802-0110

vanceandhines
.com